

Bestway®

EN
DE
NL
FR

HYDRURIUM™



©2023 Bestway Inflatables & Material Corp.

All rights reserved/Tous droits réservés/Todos los derechos reservados/Alle Rechte vorbehalten/Tutti i diritti riservati

Trademarks used in some countries under license from/

Marques utilisées dans certains pays sous la licence de/

Marcas comerciales utilizadas en algunos países bajo la licencia de/

Die Warenzeichen werden in einigen Ländern verwendet unter Lizenz der/

Marchi utilizzati in alcuni paesi concessi in licenza a

Bestway Inflatables & Material Corp., Shanghai, China

Manufactured, distributed and represented in the European Union by/

Fabriqués, distribués et représentés dans l'Union Européenne par/Fabricado, distribuido y representado en la Unión Europea por/

Hergestellt, vertrieben und in der Europäischen Union vertreten von/Prodotto, distribuito e rappresentato nell'Unione Europea da

Bestway Europe S.p.a., Via Resistenza, 5, 20098 San Giuliano Milanese (Milano), Italy

Distributed in Latin America by/Distribué en Amérique latine par/Distribuido en Latinoamérica por/Distribuido na América Latina por

Bestway Central & South America Ltda, Salar Ascotan 1262, Parque Enea, Pudahuel, Santiago, Chile

Distributed in Australia & New Zealand by **Bestway Australia Pty Ltd, Unit 2/98-104 Carnarvon St Silverwater, NSW 2128, Australia**

Tel: Australia: (+61) 2 9037 1388; New Zealand: 0800 142 101

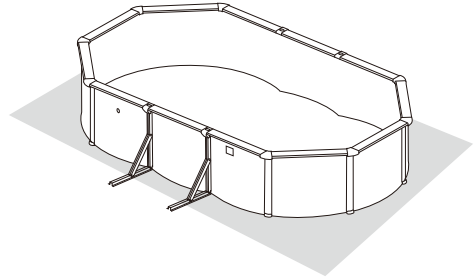
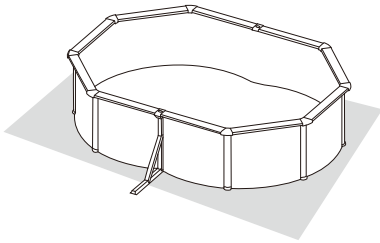
Distributed in United Kingdom by **Bestway Corp UK Ltd, 8 Wentworth Road, Heathfield Industrial Estate, Newton Abbot, Devon, TQ12 6TL**

Exported by/Exporté par/Exportado por/Exportiert von/Esportado da

Bestway (Hong Kong) International Ltd./Bestway Enterprise Company Limited

Suite 713, 7/Floor, East Wing, Tsim Sha Tsui Centre, 66 Mody Road, Kowloon, Hong Kong

www.bestwaycorp.com

**ATTENTION!**

Before setting up your pool ensure your selected location is completely firm and level. Assemble the pool on the provided ground cloth.

ACHTUNG!

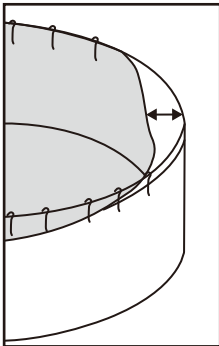
Vergewissern Sie sich, dass der gewählte Untergrund absolut fest und eben ist, bevor Sie den Pool aufbauen. Montieren Sie den Pool auf dem mitgelieferten Bodentuch.

AANDACHT!

Verzeeker u, alvorens uw zwembad te monteren, dat de door u gekozen plaats volledig vlak en stevig is. Monteer het zwembad op het meegeleverde grondzeil.

ATTENTION!

Avant de monter votre piscine, assurez-vous que l'emplacement choisi est parfaitement ferme et plat. Assemblez la piscine sur le tapis de sol fourni.



NOTE: The liner of the steel wall pool is designed to be smaller than the steel wall for technical reasons. If you find it difficult to assemble the liner, place the liner under the sun for one hour which will make it more pliable. You should then be able to assemble the liner step by step, stretching it by hand at the same time. This procedure will not damage the liner.

HINWEIS: Die Innenverkleidung des Stahlwandpools ist aus technischen Gründen kleiner als die Außenwand. Wenn Sie Schwierigkeiten bei der Anbringung der Innenverkleidung haben, legen Sie diese eine Stunde lang in die Sonne, um sie biegsamer zu machen. Dann können Sie die Innenverkleidung Schritt für Schritt anbringen, indem diese von Hand gezogen wird. Dieser Vorgang beschädigt die Innenverkleidung nicht.

OPMERKING: De bekleding van het zwembad met stalen wanden is ontworpen om kleiner te zijn dan de stalen wand omwille van technische redenen. Als u het moeilijk vindt om de bekleding te monteren, plaats de bekleding gedurende één uur onder de zon waardoor ze soepelder zal zijn. U zou dan de bekleding stap voor stap moeten kunnen monteren door deze tegelijkertijd met de hand uit te rekken. Deze procedure zal de bekleding niet beschadigen.

REMARQUE : La bâche de la piscine à paroi en acier est conçue pour être plus petite que la paroi en acier pour des raisons techniques. Si vous avez du mal à monter la bâche, placez-la en plein soleil pendant une heure, elle sera alors plus facile à plier. Vous devriez être alors en mesure de monter la bâche pas à pas, tout en tirant dessus manuellement. Cette procédure n'abîmera pas la bâche.



OWNER'S MANUAL



Visit the Bestway YouTube channel

IMPORTANT SAFETY INSTRUCTIONS

READ AND FOLLOW ALL INSTRUCTIONS.

- Carefully read, understand, and follow all information in this user manual before installing and using the pool.
- These warnings, instructions, and safety guidelines address some common risks of water recreation, but they cannot cover all risks and dangers in all cases. Always use caution, common sense, and good judgment when enjoying any water activity. Retain this information for future use. In addition, the following information can be supplied depending on the pool type.
- Safe keeping the instruction. If instruction is missing, search it in website www.bestwaycorp.com/support.

Non Swimmers safety

- Continuous, active, and vigilant supervision of weak swimmers and non-swimmers by a competent adult is required at all times (remembering that children under five are at the highest risk of drowning).
- Designate a competent adult to supervise the pool each time it is being used.
- Weak swimmers or non-swimmers should wear personal protection equipment when using the pool.
- When the pool is not in use, or unsupervised, remove all toys from the swimming pool and its surrounding to avoid attracting children to the pool.

Safety devices

- In order to prevent children from drowning, it is recommended to secure the access to the pool with a protection device.
- In order to prevent children climbing from the inlet and outlet valve, it is recommended to install a barrier (and secure all doors and windows, where applicable) to prevent unauthorized access to the swimming pool.
- Barriers, pool covers, pool alarms, or similar safety devices are helpful aids, but they are not substitutes for continuous and competent adult supervision.

Safety equipment

- It is recommended to keep rescue equipment (e.g. a ring buoy) by the pool.
- Keep a working phone and a list of emergency phone numbers near the pool.

Safe use of the pool

- Encourage all users especially children to learn how to swim.
- Learn Basic Life Support (Cardiopulmonary Resuscitation - CPR) and refresh this knowledge regularly. This can make a life-saving difference in the event of an emergency.
- Instruct all pool users, including children, what to do in case of an emergency.
- Never dive into any shallow body of water. This can lead to serious injury or death.
- Do not use the swimming pool when using alcohol or medication that may impair your ability to safely use the pool.
- When pool covers are used, remove them completely from the water surface before entering the pool.
- Protect pool occupants from water related illnesses by keeping the pool water treated and practicing good hygiene. Consult the water treatment guidelines in the user's manual.
- Store chemicals (e.g. water treatment, cleaning or disinfection products) out of the reach of children.
- Use the signage as outlined below. Signage is to be displayed in a prominent position within 2 m of the pool.



- Keep children under supervision in the aquatic environment. No diving.
- Removable ladders shall be placed on a horizontal surface.
- Irrespective of materials used for swimming pool construction, accessible surfaces have to be checked regularly to avoid injuries.
- Regularly monitor bolts and screws; splinters or any sharp edges to avoid injuries.

ATTENTION: Do not leave the drained pool outside. The empty pool is liable to being deformed and/or displaced due to wind.

• If have a filter pump, refer to the pump's manual for instructions.

WARNING! The pump cannot be used while people are inside the pool!

• If have a ladder, refer to the ladder's manual for instructions.

WARNING! The use of a swimming pool implies compliance with the safety instructions described in the operating and maintenance guide. In order to prevent drowning or other serious injuries, pay particular attention to the possibility of unexpected access to the swimming pool by children under 5 years by securing the access to it, and, during the bathing period, keep them under constant adult supervision.

NOTE: When installing the pool, the position of skimmer should be opposite to the main wind direction. The placement of the ladder in the pool shall be away from the skimmer.

Please read carefully and keep for future reference.

PRE-SETUP

CHECK LIST

To check the parts included in the box, consult the parts list in this manual. Verify that the equipment components represent the model that you had intended to purchase. In case of any damaged or missing parts at the time of purchase, visit our website bestwaycorp.com/support.

CHOOSE THE CORRECT LOCATION

The surface chosen to install the pool must respect the following technical characteristics:

- **Caution:** Top platform is metal and will become very hot in the sun.
- Because of the combined weight of the water inside the pool and the pool users, it is extremely important that the surface chosen to install the pool is capable of uniformly supporting the total weight for the entire time the pool is installed. When choosing the surface, take into consideration that water may come out of the pool when in use or in the rain. If the water softens the surface, it may lose its capability to support the pool weight.
- The surface must be flat and smooth. If the surface is inclined or uneven, it can create an unbalanced loading on the structure of the pool. This situation can damage the welding point of the liner damage the steel wall and bend the frame. In the worst cases, the pool can collapse, causing serious personal injury and/or damage to personal property.
- We recommend positioning the pool away from any objects children could use to climb into the pool.
- Position the pool near an adequate drainage system to deal with overflow or to discharge the pool. Ensure the pool side with the water inlet A and outlet B is located in the same direction of the power source, where the filtration system has to be connected.
- The selected surface must be clear of any type of object. Due to the weight of the water, any object under the pool could damage or perforate the bottom of the pool.
- The selected surface must be clear of aggressive plants and weed species. Those types of strong vegetation could grow through the liner and create water leakage. The grass or other vegetation that may cause odor or slime to develop have to be eliminated from the set-up location.
- The selected location must not have overhead power lines or trees. Be sure the location does not contain underground utility pipes, lines or cables of any kind.
- The selected position must be far from house entrance. Do not position any equipment or other furniture around the pool. The water that overflows from the pool during use or due to a faulty product can damage inside of a house or any furniture surrounding the pool.
- **Suggested set-up surfaces:** grass, ground, concrete, and all other surfaces that respect the above set-up conditions. **Avoid these surfaces:** mud, sand, gravel, deck, balcony, driveway, platform, soft/loose soil or other surface that does not meet the above set-up conditions.
- Check with your local city council for by-laws relating to fencing, barriers, lighting and safety requirements and ensure you comply with all laws.
- If a pump and/or ladder is included in the set, refer to the pump's and/or ladder's manual for safety instructions and installation. The ladder must match the pool size.
- If the installation is complete and you must move the item, be careful not to damage the wall and do not drag the liner on the ground. The friction between the material and the ground can damage the liner.
- **Follow the important instructions above to choose the correct surface and location to set up your pool. Damaged parts of the pool, due to improper set up and location, will not be considered a manufacturer defect and will void the warranty and any service claims.**

INSTALLATION

ASSEMBLING

- For the installation follow the instruction below. The drawings are for illustration purposes only. May not reflect actual product. Not to scale.
- Installation usually takes approximately 3 hours with 2-3 people excluding ground work prep and filling with water.

Tools Required (not included):



- Bestway will not be responsible for damage caused to the pool due to mishandling or failure to follow these instructions.
- We strongly suggest to open the package and to assemble the pool when the environment temperature is above 15 degrees; the PVC material of the liner will become more flexible and easier to assemble.
- Before connecting valve to the pool, fill the pool leaving 5 - 6 cm of space between the position of the connection valve and water surface.
- Never permanently install the connection valve before the water is within a few centimeters of them because the liner has to be properly taut from the pressure of the water.
- Be careful of any splinters or sharp edges when cutting the pool.
- Cutting more liner than necessary will damage and void the pool liner, so please trim with extra care.

FILLING POOL WITH WATER

- Do not leave pool unattended while filling with water.
- Fill the pool with water after all assembly steps are completed and until the water reaches 15 cm / 6" from to the top rail, which corresponds to 90% of the full capacity.
- Do not overfill as this could cause the pool to collapse. In case of heavy rainfall, we strongly recommend to reduce the water level to keep 90% of full capacity, to avoid overflowing of water.
- When the pool is completely filled, check that the distance between the water surface and the top of the rails is the same all around; in case it is different, it means that the floor is not level so we strongly recommend to draining the water and leveling the ground again.
- Keeping the pool full of water on uneven ground can cause burst of welding points and/or pool collapse, causing serious personal injury and/or damage to property.

MAINTENANCE

If you do not adhere to the maintenance guidelines below, your health might be at risk, especially that of your children.

WATER

- Keeping your pool water clean and chemically balanced is necessary. Simply cleaning the filter cartridge is not enough for proper maintenance, we recommend you use pool chemicals to maintain water chemistry and chlorine or bromine tablets (do not use granules) with the chemical dispenser.
- Water quality will be directly related to frequency of use, number of users and overall maintenance of the pool. The water should be changed every 3 days if there is no chemical treatment being performed with the water. It is highly recommended to use tap water for filling to minimize the influence of unwanted content, such as minerals.
- We recommend to take a shower before using your pool, as cosmetic products, lotions, and other residues on the skin can quickly degrade water quality. To use the chemical dispenser, follow the instructions in the leaflet.
- Skim pool regularly to avoid settled dirt.
- Locate a bucket of water next to pool to clean users' feet before entering pool.
- The chemical maintenance must be performed with Chemconnect or chemical floater; don't throw chemical products directly in the water, the chemical will deposit on the bottom and damage the material and discolor the PVC.
- Your purchased pool set may not include any of those dispensers; in this case you can purchase it by visiting our website www.bestwaycorp.com or at the nearest pool dealer.

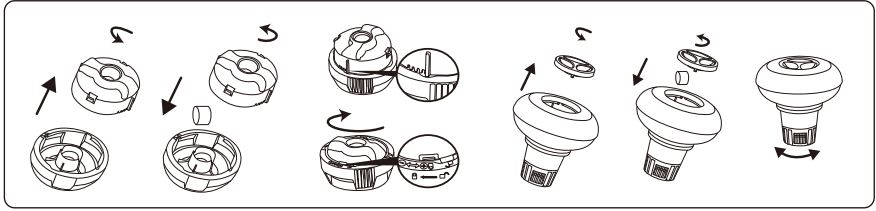
Chemical Tablets (Not Included):

- Remove the chemical dispenser from pool when the pool is in use.
- After performing chemical maintenance and before using the pool, use a test kit (not included) to test the water's chemical balance. We recommend maintaining your water's chemical balance as follows:

Parameters	Values
Water clarity	clear view of the pool bottom
Colour of the water	no colour should be observed
Turbidity in FNU/NTU	max. 1,5 (preferably less than 0,5)
Nitrate concentration above that of fill water in mg/l	max. 20
Total organic carbon (TOC) in mg/l	max. 4,0
Redox potential against Ag/AgCl 3,5 m KCl in mV	min. 650
pH value	6,8 to 7,6
Free active chlorine (without cyanuric acid) in mg/l	0,3 to 1,5
Free chlorine used in combination with cyanuric acid in mg/l	1,0 to 3,0
Cyanuric acid in mg/l	max. 100
Combined chlorine in mg/l	max. 0,5 (preferably close to 0,0 mg/l)

- Pool damage resulting from misuse of chemicals and mismanagement of pool water is not covered by the warranty.
- Over usage of chemical will discolor the printing and all points of the pool material; in worse case it will damage the structure of the pool liner.
- Pool chemicals are potentially toxic and should be handled with care. There are serious health risks from chemical vapors and the incorrect labeling and storage of chemical containers.

- Please consult your local pool or chemical supply retailer for more information about chemical maintenance. Pay close attention to the chemical manufacturer's instructions.
- The pump is used to circulate the water and to filter small particles. In order to keep your pool water clean and hygienic, you must also add chemicals.



LINER

- Cover the pool when not in use, to prevent any damage to the material on the top rails. Gently clean any dirt deposit on the top rails with a clean cloth.
- Before attaching the pool cover, ensure the water is at the maximum level. If the water level is too low, the pool cover should not be installed.

DISASSEMBLY AND STORAGE

The pool is designed to stay outside year-round. To keep the pool outside during the winter, follow the steps below:

- Drain the water 20 cm under the connection valve and skimmer.
 - Detach the pump and hoses.
 - Keep the cover in position.
 - If the water level increases following a rainy day, discharge the excess water until the level reaches ideal amount shared above.
- If you still need to disassemble the pool before winter, be sure the holes for the skimmer and connection valve are in the correct position prior to reassembling.

DRAINING

- To drain the pool, follow the instruction below. Drawings are for illustration purposes only. May not reflect actual product. Not to scale.
- To drain your pool water, check local regulations for drainage by-laws.

CLEANING

- Rinse the pool liner with tap water, to remove completely any residual of chemical or dirt.
- Leave the pool under the sunlight until it's completely dried.
- To remove completely the remaining water, wipe the pool liner with a dry cloth.

STORAGE

- Remove all accessories; be sure that pool liner, cover, pump and accessories are completely clean and dry before the storage. If the pool is not completely dry, mold may result and will damage the pool liner during the storage period.
- Fold the pool liner only if the environment temperature is above 10°C / 50°F. Store the pool in a dry place with a moderate temperature between 10°C / 50°F and 38°C / 100°F and position the pool liner and all accessories inside a carton box, to better protect the PVC material during the winter period.

REPAIR

In the event of a leak, patch your pool using the underwater adhesive repair patch provided. You can find the instructions in FAQs on the support section of our website, www.bestwaycorp.com/support.



GEBRAUCHSANWEISUNG



Besuchen Sie Bestway® auf YouTube

WICHTIGE SICHERHEITSHINWEISE

BITTE GRÜNDLICH DURCHLESEN.

- Lesen Sie diese Gebrauchsanweisung vor dem Aufbau und der anschließenden Benutzung des Pools sorgfältig durch.
- Diese Warnungen, Anweisungen sowie Sicherheitsrichtlinien beziehen sich auf die am häufigsten auftretenden Risiken der Freizeitbeschäftigung im Wasser, können aber nicht alle in vollem Umfang abdecken. Gehen Sie stets mit der nötigen Vorsicht und gesundem Menschenverstand vor. Bewahren Sie diese Gebrauchsanweisung mit allen Sicherheitshinweisen sorgfältig auf. Zudem können je nach Art des Pools folgende Informationen bereitgestellt werden.
- Bewahren Sie die Gebrauchsanweisung sorgfältig auf. Sollte diese nicht beiliegen, besuchen Sie uns unter www.bestwaycorp.com/support.

Sicherheit von Nichtschwimmern

- Es ist jederzeit eine ständige, aktive und wachsame Beaufsichtigung schwacher Schwimmer und Nichtschwimmer durch eine sachkundige erwachsene Aufsichtsperson erforderlich (es wird daran erinnert, dass das größte Risiko des Ertrinkens bei Kindern unter 5 Jahren besteht).
- Es wird eine sachkundige erwachsene Person bestimmt, die das Becken überwacht, wenn es benutzt wird.
- Schwache Schwimmer oder Nichtschwimmer sollten persönliche Schutzausrüstung tragen, wenn sie ins Schwimmbecken gehen.
- Wenn das Schwimmbecken nicht benutzt oder überwacht wird, werden sämtliche Spielsachen aus dem Schwimmbecken und seiner Umgebung entfernt, um zu verhindern, dass Kinder davon angezogen werden.

Sicherheitsvorrichtungen

- Um das Ertrinken von Kindern zu verhindern, wird empfohlen, den Zugang zum Schwimmbecken mit einer Schutzeinrichtung zu sichern. Um Kinder vom Klettern über das Einlass- und Auslassventil abzuhalten, Es wird empfohlen, eine Absperrung zu errichten (und sämtliche Türen und Fenster zu sichern, sofern zutreffend), um unberechtigten Zutritt zum Schwimmbecken zu vermeiden.
- Absperrungen, Beckenabdeckungen, Alarmanlagen oder ähnliche Sicherheitsvorrichtungen sind sinnvolle Hilfsmittel, ersetzen jedoch keine ständige und sachkundige Überwachung durch erwachsene Personen.

Sicherheitsausrüstung

- Es wird empfohlen, Rettungs-ausrüstung (z. B. einen Rettungsring) in der Nähe des Beckens aufzubewahren.
- Ein funktionierendes Telefon und eine Liste von Notrufnummern werden in der Nähe des Schwimmbeckens aufbewahrt.

Sichere Nutzung des Schwimmbeckens

- Sämtliche Nutzer, insbesondere Kinder, werden dazu ermuntert, schwimmen zu lernen.
- Erste Hilfe (Herz-Lungen-Wiederbelebung) erlernen und diese Kenntnisse regelmäßig auffrischen. Das kann bei einem Notfall einen lebensrettenden Unterschied ausmachen.
- Sämtliche Beckenbenutzer, einschließlich Kinder, anweisen, was in einem Notfall zu tun ist.
- Niemals in flaches Wasser springen. Das kann zu schweren Verletzungen oder zum Tode führen.
- Das Schwimmbecken nicht benutzen, wenn man unter dem Einfluss von Alkohol oder Medikamenten steht, welche die Fähigkeit zur sicheren Nutzung des Beckens beeinträchtigen können.
- Beckenabdeckungen vor dem Betreten des Schwimmbeckens vollständig von der Wasseroberfläche entfernen, wenn sie verwendet werden.
- Die Nutzer des Schwimmbeckens werden vor durch das Wasser verbreiteten Krankheiten geschützt, indem das Wasser stets aufbereitet und hygienisch unbedenklich gehalten wird. Die Richtlinien zur Wasseraufbereitung in der Gebrauchsanleitung werden zu Rate gezogen.
- Chemikalien (z. B. Produkte für die Wasseraufbereitung, Reinigung oder Desinfektion) außerhalb der Reichweite von Kindern aufbewahren.
- Die nachstehenden Zeichen werden verwendet. Die Zeichen sind an einer gut sichtbaren Stelle innerhalb von 2 000 mm in der Nähe des Schwimmbeckens anzubringen.



- Beaufsichtigen Sie stets Kinder in Poolumgebung und in Wassernähe. Keine Tauchsprünge.
- Abnehmbare Leitern sind auf einer waagerechten Fläche anzuordnen.
- Zugängliche Flächen müssen regelmäßig überprüft werden, um Verletzungen zu vermeiden, unabhängig von den für den Bau des Schwimmbeckens verwendeten Materialien.

- Prüfen Sie regelmäßig Bolzen und Schrauben; entfernen Sie Späne, Spreißel sowie sämtliche scharfen Kanten, um Verletzungen zu vermeiden.
 - ACHTUNG:** Lassen Sie den entleerten Pool nicht im Freien. Der leere Pool neigt dazu, durch den Wind verformt und/oder verschoben zu werden.
 - Wenn Sie über eine Filterpumpe verfügen, beachten Sie die Anweisungen des Filterpumpen-Handbuchs.
 - ACHTUNG:** Die Pumpe darf nicht betrieben werden, wenn sich Menschen im Pool aufhalten!
 - Wenn Sie über eine Leiter verfügen, beachten Sie die Anweisungen des Leiter-Handbuchs.
 - ACHTUNG:** Die Nutzung eines Swimmingpools setzt die Einhaltung der im Betriebs- und Wartungshandbuch beschriebenen Sicherheitsanweisungen voraus. Um der Gefahr des Ertrinkens und anderer schwerer Unfälle vorzubeugen, achten Sie besonders darauf, dass Kinder unter 5 Jahren den Pool nicht unerwartet betreten und sichern sie den Zugang entsprechend ab. Stellen Sie weiterhin während der Badezeiten eine konstante Beaufsichtigung der Kinder durch Erwachsene sicher.
 - HINWEIS:** Bei der Installation des Pools sollte der Skimmer entgegen der Hauptwindrichtung positioniert werden. Die Platzierung der Leiter im Pool sollte vom Skimmer entfernt erfolgen.
- Bitte sorgfältig lesen und für späteres Nachschlagen aufbewahren.**

VOR DEM AUFBAU

PRÜFLISTE

Prüfen Sie den Verpackungsinhalt mithilfe der in der Gebrauchsanweisung aufgeführten Liste auf seine Vollständigkeit. Vergewissern Sie sich zudem, dass die einzelnen Komponenten dem von Ihnen erworbenen Modell entsprechen. Sollten Sie zum Zeitpunkt des Kaufs Beschädigungen oder eine Unvollständigkeit des Inhalts feststellen, besuchen Sie uns unter bestwaycorp.com/support.

EINEN GEEIGNETEN AUFSTELLORT FINDEN

Der gewählte Untergrund muss die folgenden Voraussetzungen erfüllen:

- **Achtung:** Der Handlauf kann in der Sonne heiß werden.
- Aufgrund des Gewichts von Wassermenge und Benutzer, muss der für den Aufbau des Pools gewählte Untergrund in der Lage sein, dieser doppelten Belastung während der gesamten Badesaison mühelos standhalten zu können. Bitte beachten Sie, dass es während der Benutzung oder bei Niederschlägen zu einer Aufweichung des Bodens kommen kann. Dies kann die Stabilität des Pools beeinträchtigen.
- Die Oberfläche muss absolut eben sein. Sollte ein Gefälle oder Unebenheiten vorliegen, kann dies zu einer ungleichmäßigen Belastung der Konstruktion führen. Es besteht das Risiko von Schäden an Poolfolie und Stahlwand, sowie ein Verbiegen des Rahmens. Im schlimmsten Fall kann der Pool einstürzen und so schwere Personen- und/oder Sachschäden verursachen.
- Wir empfehlen, den Pool nicht in der Nähe von Gegenständen aufzustellen, welche Kindern als Einstiegshilfe dienen könnten.
- Stellen Sie den Pool in der Nähe eines geeigneten Abflusssystems auf, um ein Abflauen von überschwappendem Wasser sowie ein Entleeren zu ermöglichen. Stellen Sie sicher, dass die Poolseite mit den Anschlüssen A und B in Richtung der Stromquelle zeigt, an welcher das Filtersystem angeschlossen wird.
- Die gewählte Oberfläche muss frei von jeglichen Gegenständen sein. Aufgrund des Wassergewichts könnte jeder noch so kleine Gegenstand unter dem Poolboden diesen beschädigen.
- Die ausgewählte Fläche muss frei von aggressiven Pflanzen sein. Starker Bewuchs könnte durch die Poolfolie hindurchwachsen und zu einem Wasseraustritt führen. Gras oder andere Pflanzen, die eine Geruchs- oder Schleimbildung zur Folge haben könnten, müssen ebenfalls entfernt werden.
- Am gewählten Aufstellort dürfen sich keine Freileitungen oder Bäume befinden. Stellen Sie zudem sicher, dass sich unterhalb des Pools keine Versorgungsrohre, -leitungen oder -kabel jeglicher Art befinden.
- Der gewählte Aufstellort muss sich weit genug vom Hauseingang entfernt befinden. Stellen Sie keine Geräte oder Möbelstücke um den Pool herum auf. Überschwappendes Wasser während der Benutzung des Pools kann die Inneneinrichtung eines Hauses oder die Möbel rund um den Pool beschädigen.
- **Geeignete Oberflächen:** Gras, Beton und alle anderen Oberflächen, welche die oben genannten Voraussetzungen erfüllen. **Vermeiden Sie folgende Oberflächen:** Schlamm, Sand, Kies, Terrassen, Balkone, Einfahrten, Plattformen, weiche/lose Böden oder andere Oberflächen, welche nicht die oben genannten Voraussetzungen erfüllen.
- Erkundigen Sie sich bei Ihrer zuständigen Stadtverwaltung nach Verordnungen bezüglich Umzäunungen, Absperrungen, sowie Beleuchtungs- und Sicherheitsvorschriften und achten Sie auf deren Einhaltung.
- Wenn eine Pumpe und/oder eine Sicherheitsleiter im Set enthalten ist, lesen Sie die entsprechenden Gebrauchsanweisungen bitte sorgfältig durch. Die Sicherheitsleiter muss in jedem Fall der Poolgröße entsprechen.
- Sollte der Pool nach dem Aufbau noch einmal bewegt werden müssen, gehen Sie hierbei bitte mit besonderer Vorsicht vor. Ziehen Sie den Pool niemals über den Boden, da die dadurch entstehende Reibung die Poolfolie beschädigen kann.
- **Alle oben genannten Anweisung zur Auswahl einer geeigneten Oberfläche als Aufstellort müssen in jedem Fall befolgt werden. Beschädigungen, welche auf einen unsachgemäßen Aufbau und falschen Standort des Pools zurückzuführen sind, können nicht als Herstellungsfehler angesehen werden und führen zum Erlöschen der Garantie sowie jeglicher Serviceansprüche.**

MONTAGE

AUFBAU

- Für den Aufbau befolgen Sie bitte die nachfolgenden Anweisungen. Die Zeichnungen dienen lediglich als Veranschaulichung und spiegeln möglicherweise nicht das tatsächliche Produkt wider. Nicht maßstabsgetreu.
- Für den reinen Aufbau des Pools benötigen 2-3 Personen in der Regel ca. 3 Stunden. Vorbereitungen des Bodens sowie die Befüllung mit Wasser sind davon ausgenommen.

Folgendes Werkzeug wird benötigt (nicht im Lieferumfang enthalten):



- Bestway® übernimmt keine Haftung für Schäden am Pool, welche auf eine unsachgemäße Handhabung oder Nichtbeachtung dieser Anweisungen zurückzuführen sind.
- Wir empfehlen, den Pool ab einer Umgebungstemperatur von über 15 Grad aufzubauen; das PVC-Material der Poolfolie sollte so deutlich flexibler und lässt sich so leichter handhaben.
- Bevor Sie das Regelventil an den Pool anschließen, füllen Sie diesen so lange mit Wasser, dass zwischen Ventil und Wasseroberfläche ein Abstand von 5 - 6 cm bleibt.
- Installieren Sie das Regelventil erst dann dauerhaft, wenn das Wasser bis auf wenige Zentimeter an dieses heranreicht, da die Poolfolie erst durch den Druck des Wassers die nötige Spannung erreicht.
- Achten Sie beim Einschneiden der Poolfolie auf mögliche Splitter oder scharfe Kanten.
- Wenn Sie die Poolfolie mehr als nötig einschneiden, kann diese beschädigt und somit unbrauchbar werden.

BEFÜLLUNG DES POOLS

- Lassen Sie den Pool während des Füllvorgangs nicht unbeaufsichtigt.
- Nachdem Sie den Pool vollständig aufgebaut haben, kann dieser befüllt werden. Achten Sie darauf, den Wasserstand bis 15 cm unterhalb der oberen Schiene steigen zu lassen. Dies entspricht in etwa 90% der maximalen Kapazität.
- Ein Überfüllen des Pools kann zu dessen Einsturz führen. Bei starken Regenfällen empfehlen wir dringend, rechtzeitig auf den steigenden Wasserstand zu reagieren und bei Bedarf Wasser abzulassen.
- Wenn der Pool vollständig gefüllt ist, prüfen Sie, ob der Abstand zwischen der Wasseroberfläche und der oberen Schienen an allen Stellen übereinstimmt. Sollten Sie Abweichungen bemerken, kann dies auf eine Unebenheit des Untergrunds hindeuten.
- Wenn der Pool im befüllten Zustand auf einer unebenen Oberfläche verbleibt, kann dies zum Bersten der Schweißpunkte und/oder zum Einsturz der gesamten Konstruktion führen. Die Folge können schwere Sachschäden und/oder Verletzungen sein.

WARTUNG

Sollten die Wartungsrichtlinien nicht befolgt werden, kann Ihre Gesundheit – und vor allem die Ihrer Kinder - gefährdet werden.

WASSER

- Ihr Poolwasser muss sich stets in einem sauberen und chemisch ausgeglichenen Zustand befinden. Eine einfache Reinigung der Filterkartusche reicht für eine ordnungsgemäße Pflege Ihres Poolwassers nicht aus. Zur Aufrechterhaltung der notwendigen Wasserqualität empfehlen wir die Verwendung von Poolchemie in Form von Chlor- oder Bromtabletten (kein Granulat). Diese können mit unserem ChemConnect™ Chemikaliendosierer oder unseren Dosierschwimmern gleichmäßig im gesamten Pool verteilt werden.
- Die Wasserqualität ist im großen Maße von der Nutzungshäufigkeit, Anzahl der Poolnutzer sowie dem Grad der durchgeführten Poolpflege abhängig. Wird auf die Verwendung von Poolchemie verzichtet, sollte das Wasser alle 3 Tage gewechselt werden. Es wird dringend empfohlen, für die Befüllung Leitungswasser zu verwenden, um den Einfluss ungewollter Inhaltsstoffe, wie z. B. Mineralien, zu minimieren.
- Wir empfehlen Ihnen, sich vor der Benutzung Ihres Pools gründlich abzduschen, da Kosmetikprodukte, Lotionen und andere Rückstände auf der Haut die Verschlechterung der Wasserqualität beschleunigen können. Für die Verwendung des Chemikaliendosierers befolgen Sie bitte die Anweisungen in der Gebrauchsanweisung.
- Verwenden Sie in regelmäßigen Abständen einen Kescher, um Schmutzansammlungen an der Wasseroberfläche zu vermeiden.
- Stellen Sie einen Eimer mit Wasser neben dem Pool auf, um die Füße vor dem Betreten zu reinigen.
- Die Wasserpflege mithilfe von Poolchemie muss in jedem Fall in Kombination mit unserem ChemConnect™ oder einem Dosierschwimmer durchgeführt werden. Geben Sie Chemikalien niemals direkt ins Wasser, da sich diese am Boden absetzen und das Material verfärben und/oder beschädigen können.
- Das von Ihnen erworbene Pool-Set enthält möglicherweise keinen Chemikaliendosierer; in diesem Fall können Sie diesen unter www.bestwaycorp.com oder bei Ihrem lokalen Händler erwerben.

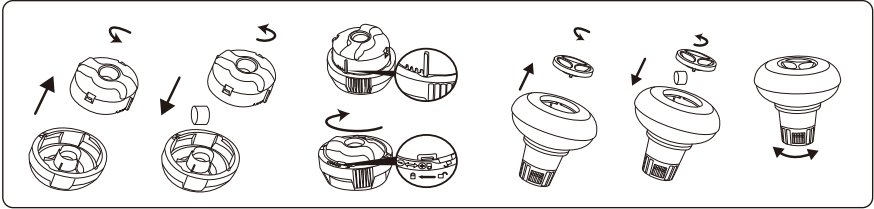
Chemietabletten (nicht im Lieferumfang enthalten):

- Wenn sich der Pool in Gebrauch befindet, entfernen Sie bitte den Chemikaliendosierer.
- Verwenden Sie nach der Verwendung von Poolchemie und vor der Benutzung des Pools einen Teststreifen (nicht im Lieferumfang enthalten), um die Wasserqualität zu messen. Um diese dauerhaft auf einem stabilen und gesunden Niveau zu halten, sollte folgendes beachtet werden:

Parameter	Werte
Klarheit des Wassers	Klare Sicht auf den Poolboden
Farbe des Wassers	Es sollte keine Färbung erkennbar sein
Trübung in FNU/NTU	max. 1,5 (möglichst geringer als 0,5)
Nitratkonzentration über der des Füllwassers in mg/l	max. 20
Gesamter organischer Kohlenstoff (TOC) in mg/l	max. 4,0
Redoxpotential gegen Ag/AgCl 3,5 m KCl in mV	min. 650
pH-Wert	6,8 bis 7,6
Freies, aktives Chlor (ohne Cyanursäure) in mg/l	0,3 bis 1,5
Freies Chlor in Kombination mit Cyanursäure in mg/l	1,0 bis 3,0
Cyanursäure in mg/l	max. 100
Gebundenes Chlor in mg/l	max. 0,5 (möglichst nahe 0,0 mg/l)

- Schäden am Pool, welche auf den falschen Umgang mit Poolchemie sowie dem Poolwasser zurückzuführen sind, fallen nicht unter die Herstellergarantie.
- Eine übermäßige Verwendung von Poolchemie kann zu Verfärbungen des Materials führen; im schlimmsten Fall wird die Struktur und somit die Stabilität der Poolfolie beschädigt.
- Poolchemie besitzt potenziell giftige Eigenschaften und sollte stets mit äußerster Vorsicht gehandhabt werden. Chemische Dämpfe sowie die falsche Kennzeichnung und Lagerung stellen ein ernsthaftes Gesundheitsrisiko dar.

- Weitere Informationen über die Handhabung von Chemikalien erhalten Sie bei Ihrem örtlichen Pool- und Chemikalienhändler. Beachten Sie hierbei genauso die Anweisungen des Herstellers.
- Das Filtersystem dient der Umwälzung des Poolwassers und des Herausfilterns kleinerer Schmutzpartikel. Um Ihren Pool stets hygienisch sauber zu halten, ist der Einsatz von Poolchemie unabdingbar.



POOLFOLIE

- Außerhalb der Nutzung des Pools sollte dieser stets abgedeckt werden. Schmutzablagerungen auf der oberen Schiene können vorsichtig mit einem sauberen Tuch entfernt werden.
- Vergewissern Sie sich vor dem Abdecken des Pools, dass der Wasserstand den Höchststand erreicht hat. Ist dies nicht der Fall, sollte keine Abdeckplane verwendet werden.

ABBAU UND LAGERUNG

Der Stahlwandpool kann das ganze Jahr lang aufgebaut bleiben. Um diesen jedoch vollständig winterfest zu machen, gehen Sie wie folgt vor:

- Senken Sie den Wasserstand auf bis zu 20 cm unterhalb der Regelventile und des Oberflächenskimmers ab.
- Entfernen Sie das Filtersystem sowie sämtliche Schläuche.
- Decken Sie den Pool ab.
- Wird der Wasserstand durch starken Niederschlag angehoben, senken Sie den Wasserstand erneut auf die oben angegebene Menge.

Sollte ein Abbau des Pools dennoch notwendig sein, stellen Sie sicher, dass sich die Löcher für den Skimmer und das Anschlussventils in der richtigen Position befinden.

ENTLEEREN

- Um den Pool vollständig zu entleeren, befolgen Sie bitte die nachstehenden Anweisungen. Die Abbildungen dienen lediglich zur Veranschaulichung und spiegeln möglicherweise nicht das tatsächliche Produkt wider. Nicht maßstabsgetreu.
- Informieren Sie sich vor dem Ablassen des Poolwassers über die örtlichen geltenden Vorschriften.

REINIGUNG

- Verwenden Sie Leitungswasser, um die Poolfolie von Schmutz- und Chemikalienrückständen zu befreien.
- Lassen Sie die die Poolfolie vollständig an der Sonne trocknen.
- Um das restliche Wasser vollständig zu entfernen, wischen Sie die Poolfolie bitte mit einem trockenen Tuch ab.

LAGERUNG

- Entfernen Sie sämtliches Zubehör und stellen Sie sicher, dass Poolfolie, Abdeckplane, Filtersystem und Zubehör vor der Einlagerung vollständig sauber und getrocknet sind. Wir der Pool nicht richtig getrocknet, kann dies zu Schimmelbildung und folglich zu Schäden während der Lagerung führen.
- Die Poolfolie sollte nur gefaltet werden, wenn die Umgebungstemperatur mehr als 10°C beträgt. Lagern Sie den Pool daher an einem trockenen Ort mit einer moderaten Temperatur zwischen 10°C und 38°C. Verwenden Sie für die Lagerung von Poolfolie und gesamten Zubehör einen Karton, um das Material während der Winterzeit besser zu schützen.

REPARATUR

Sollten Sie ein Loch in Ihrer Poolfolie entdecken, könnten Sie dieses mithilfe des im Lieferumfang enthaltenen Reparaturflickens wieder verschließen. Alle Informationen zur Anwendung des Reparaturflickens finden Sie in den FAQs im Hilfe-Bereich unter www.bestwaycorp.com/support.

VIELEN DANK FÜR IHREN KAUF EINES BESTWAY PRODUKTES!

DE

Verlängern Sie Jetzt **kostenlos** die Garantie Ihres Produktes!
 Registrieren Sie Ihr Produkt innerhalb von 30 Tagen nach
 Kaufdatum und in nur wenigen Minuten erhalten Sie eine
 kostenlose Verlängerung der Herstellergarantie um 6 Monate!
 Besuchen Sie sofort **WWW.BESTWAYREGISTRIERUNG.DE**
 und registrieren Ihr Produkt!

Diese Möglichkeit der Garantieverlängerung gilt nur in folgenden Ländern:
 Deutschland, Frankreich, Italien.



GEBRUIKERSHANDLEIDING



Bezoek het Bestway YouTube kanaal

BELANGRIJKE VEILIGHEIDSINSTRUCTIES

LEES EN VOLG ALLE INSTRUCTIES.

- Lees, begrijp en volg alle informatie in deze gebruikershandleiding zorgvuldig voordat u het zwembad opzet en gebruikt.
- Deze waarschuwingen, instructies en veiligheidsrichtlijnen behandelen enkele veelvoorkomende risico's van waterrecreatie, maar ze kunnen niet alle mogelijke risico's en gevaren dekken. Wees altijd voorzichtig en gebruik gezond verstand wanneer u gebruik maakt van enige wateractiviteit. Bewaar deze informatie voor toekomstig gebruik. Bovendien kan de volgende informatie verkregen worden afhankelijk van het zwembad type.
- Bewaar de instructies op een veilige plaats. Indien er instructies ontbreken, kunt u deze opzoeken op de website www.bestwaycorp.com/support.

Veiligheid van niet-zwemmer

- Continu, actief en waakzaam toezicht van zwakke zwemmers en niet-zwemmers door een competente volwassene is altijd vereist (denk eraan dat kinderen onder de vijf jaar oud het hoogste risico op verdrinking lopen).
- Duid een competente volwassene aan om toezicht te houden op het zwembad telkens wanneer het gebruikt wordt.
- Zwakke zwemmers of niet-zwemmers zouden persoonlijke beschermingsuitrusting moeten dragen wanneer ze het zwembad gebruiken.
- Wanneer het zwembad niet in gebruik is of er geen toezicht is, verwijder alle speelgoed uit het zwembad en zijn omgeving om te vermijden kinderen aan te trekken naar het zwembad.

Veiligheidsmiddelen

- Ten einde verdrinking van kinderen te vermijden, is het aanbevolen om de toegang tot het zwembad te beveiligen met een beschermingselement. Ten einde te voorkomen dat kinderen van de invoer- en afvoerkleppen klimmen, is het aanbevolen een barrière te installeren (en alle deuren en vensters waar van toepassing te beveiligen) om onbevoegde toegang tot het zwembad te voorkomen.
- Barrières, zwembadafdekkingen, zwembadalarmen of gelijkaardige veiligheidsmiddelen zijn nuttige hulpmiddelen, maar het zijn geen vervangingen voor een continu en competent toezicht door volwassenen.

Veiligheidsapparatuur

- Het is aanbevolen om reddingsapparatuur (bijv. een ring-boei) nabij het zwembad te hebben.
- Houd ook een werkende telefoon en een lijst met noodnummers nabij het zwembad.

Veilig gebruik van het zwembad

- Moedig alle gebruikers vooral kinderen aan om te leren zwemmen.
- Leer om te reanimeren (cardiopulmonaire reanimatie - CPR) en vernieuw deze kennis regelmatig. Dit kan een levensreddend verschil uitmaken in een noodgeval.
- Onderricht alle zwembadgebruikers, inbegrepen kinderen, wat te doen in een noodgeval.
- Duik nooit in ondiep water. Dit kan leiden tot ernstige verwondingen of tot de dood.
- Gebruik het zwembad niet wanneer u alcohol of medicatie gebruikt die uw vermogen om het zwembad veilig te gebruiken, zou kunnen aantasten.
- Wanneer zwembadafdekkingen gebruikt worden, verwijder deze volledig uit het wateroppervlak voor u in het zwembad gaat.
- Bescherm de zwembadgebruikers tegen met water verband houdende ziekten door het zwembadwater behandeld te houden en goede hygiëne in acht te nemen. Raadpleeg de richtlijnen voor waterbehandeling in de gebruikershandleiding.
- Bewaar chemicaliën (bijv. voor waterbehandeling of reinigings- en ontsmettingsproducten) buiten het bereik van kinderen.
- Gebruik de aanduidingsborden zoals hieronder aangegeven. Er moeten aanduidingsborden staan in een prominente positie binnen de 2m van het zwembad.



- Houd de kinderen onder toezicht in de wateromgeving. Niet duiken.
- Er moeten verwijderbare ladders staan op een horizontaal oppervlak.
- Ongeacht de gebruikte materialen voor de zwembadconstructie, moeten de toegankelijke oppervlakken regelmatig gecontroleerd worden om verwondingen te vermijden.
- Controleer regelmatig bouten en schroeven, verwijder splinters of andere scherpe randen om verwondingen te vermijden.

AANDACHT: Laat het leeggelopen zwembad niet buiten staan. Het lege zwembad kan vervormd en/of verplaatst worden omwille van de wind.

• Als u een filterpomp hebt, raadpleeg de handleiding van de pomp voor instructies.

WAARSCHUWING! De pomp kan niet worden gebruikt wanneer er zich mensen in het zwembad bevinden!

• Als u een ladder hebt, raadpleeg de handleiding van de ladder voor instructies.

WAARSCHUWING! Het gebruik van een zwembadkit impliceert het naleven van de veiligheidsinstructies beschreven in de gebruiks- en onderhoudshandleiding. Ten einde verdrinking of andere ernstige verwondingen te vermijden, moet u bijzondere aandacht verlenen aan de mogelijkheid van een onverwachte toegang tot het zwembad door kinderen jonger dan 5 jaar door de toegang ertoe te beveiligen en de kinderen tijdens het zwemmen voortdurend onder toezicht te houden van volwassenaan.

OPMERKING: Bij installatie van het zwembad moet de skimmer tegenovergesteld van de belangrijkste windrichting zijn geplaatst zijn. De ladder in het zwembad moet weg van de skimmer gericht zijn.

Zorgvuldig lezen en bewaren voor toekomstige referentie.

ALVORENS HET OPZETTEN

CHECKLIST

Raadpleeg de onderdelenlijst in deze handleiding om de onderdelen in de doos te controleren. Controleer ook of de onderdelen van de apparatuur het model vertegenwoordigen dat u wou aankopen. In het geval van enige beschadigde of ontbrekende onderdelen op het moment van aankoop, bezoek dan onze website bestwaycorp.com/support.

KIES DE JUISTE LOCATIE

Het gekozen oppervlak om het zwembad op te zetten, moet voldoen aan de volgende technische kenmerken:

- **Let op:** Het bovenste platform is van metaal en zal in de zon zeer heet worden.
- Vanwege het gecombineerde gewicht van het water in het zwembad en de gebruikers van het zwembad, is het uiterst belangrijk dat het oppervlak dat u voor het zwembad gekozen heeft, in staat is om het totale gewicht gelijkmatig te dragen gedurende de hele tijd dat het zwembad opgezet is. Houd bij de keuze van de ondergrond er ook rekening mee dat er water uit het zwembad kan komen bij gebruik of bij regen. Indien het water de ondergrond zachter maakt, kan het zijn vermogen verliezen om het gewicht van het zwembad te blijven dragen.
- De ondergrond moet vlak en glad zijn. Indien het oppervlak schuin of oneffen is, kan dit een onevenwichtige belasting op de structuur van het zwembad veroorzaken. Deze situatie kan de lasnaad van de voering of de stalen wand beschadigen, en kan het frame buigen. In het ergste geval kan het zwembad instorten, met ernstig persoonlijk letsel en/of schade aan persoonlijke eigendom tot gevolg.
- We raden aan om het zwembad uit de buurt te plaatsen van voorwerpen die kinderen kunnen gebruiken om in het zwembad te klimmen.
- Plaats het zwembad in de buurt van een geschikt afvoersysteem om overstroming op te vangen of om het zwembadwater af te voeren. Zorg ervoor dat de zwembadzijde met de waterinlaat A en -uitlaat B zich in dezelfde richting van de stroombron bevinden, waar het filtersysteem moet worden aangesloten.
- Verwijder elk type object van het geselecteerde oppervlak. Door het gewicht van het water kan elk voorwerp onder het zwembad de bodem van het zwembad beschadigen of perforeren.
- Verwijder tevens agressieve planten en onkruidsoorten van het gekozen oppervlak. Die soorten vegetatie kunnen door de voering groeien en waterlekage veroorzaken. Het gras of andere vegetatie die geur- of slijmvorming kan veroorzaken, moet tevens van de gekozen locatie worden verwijderd.
- De geselecteerde locatie mag geen bovengrondse hoogspanningslijnen of bomen hebben. Zorg ervoor dat de locatie geen ondergrondse, leidingen of kabels van welke aard dan ook bevat.
- De geselecteerde locatie moet ook ver van de ingang van het huis zijn. Plaats geen apparatuur of ander meubilair rond het zwembad. Het water dat tijdens gebruik of door een defect product uit het zwembad stroomt, kan uw eigendom binnenshuis of meubels rondom het zwembad beschadigen.
- **Aanbevolen oppervlakken:** gras, grond, beton en alle andere oppervlakken die voldoen aan de bovenstaande voorwaarden. **Vermijd deze oppervlakken:** modder, zand, grind, balkon, oprit, platform, zachte/losse grond of andere ondergrond die niet voldoet aan bovenstaande opstellingsvoorwaarden.
- Informeer bij uw plaatselijke gemeente voor regelgevingen met betrekking tot omheiningen, barrières, verlichting en veiligheidsseisen, en zorg ervoor dat u aan alle wetten voldoet.
- Indien er een pomp en/of ladder in de set inbegrepen is, raadpleeg dan de handleiding van de pomp en/of ladder voor veiligheidsinstructies en installatie. De ladder moet overeenkomen met de grootte van het zwembad.
- Indien het product is opgezet is en het nodig is om het te verplaatsen, pas dan op dat u de wand niet beschadigt en sloop de voering niet over de grond. De wrijving tussen het materiaal en de grond kan de voering beschadigen.
- **Volg de belangrijke instructies hierboven om het juiste oppervlak en de juiste locatie te kiezen om uw zwembad op te zetten.** Beschadigde delen van het zwembad, als gevolg van onjuist opzetten of onjuiste locatie, worden niet als een fabrieksfout beschouwd en maken de garantie en eventuele serviceclaims ongeldig.

OPZETTEN

MONTEREN

- Volg voor het opzetten onderstaande instructies. De tekeningen zijn enkel ter illustratie. Ze geven mogelijk niet het werkelijke product weer. Niet op schaal.
- Het opzetten duurt gewoonlijk ongeveer 3 uur met 2-3 personen, exclusief voorbereiding van de ondergrond en vullen met water.

Benodigd gereedschap (niet inbegrepen):



- Bestway is niet verantwoordelijk voor schade aan het zwembad veroorzaakt door verkeerd gebruik of het niet opvolgen van deze instructies.
- We raden ten eerste aan om de verpakking te openen en het zwembad te monteren wanneer de omgevingstemperatuur hoger is dan 15 graden; het PVC-materiaal van de voering zal dan flexibeler worden, waardoor het monteren gemakkelijker is.
- Voordat u de klep op het zwembad aansluit, moet u het zwembad vullen, waarbij u 5-6 cm ruimte laat tussen de positie van de aansluitklep en het wateroppervlak.
- Monteer de aansluitklep nooit permanent voordat het water binnen enkele centimeters staat, omdat de voering goed strak moet staan vanwege de waterdruk.
- Let op voor splinters of scherpe randen bij het opzetten van het zwembad.
- Indien u meer van de voering snijdt dan nodig, zal dit de voering van het zwembad beschadigen en deze mogelijk ongelidig of onbruikbaar maken, dus trim deze met extra zorg.

HET ZWEMBAD MET WATER VULLEN

- Laat het zwembad niet onbeheerd achter tijdens het vullen met water.
- Vul het zwembad met water nadat alle montagestappen voltooid zijn en totdat het water een afstand van 15 cm / 6" tot de bovenrand bereikt, wat overeenkomt met 90% van de volledige capaciteit.
- Vult het niet te vol, omdat dit tot instorting van het zwembad kan leiden. In geval van hevige regenval raden we ten eerste aan om het waterpeil te verlagen om 90% van de volledige capaciteit te behouden, en zo overlopen van water te voorkomen.
- Wanneer het zwembad volledig gevuld is, controleer dan of de afstand tussen het wateroppervlak en de bovenrand overal gelijk is; zoniet, betekent dit dat de ondergrond niet waterpas is, en we raden ten eerste aan om het water af te voeren en de grond opnieuw te egaliseren.
- Indien u het zwembad op een oneffen ondergrond vol water houdt, kunnen lasnaden barsten en/of kan het zwembad instorten, met ernstig persoonlijk letsel en/of materiële schade tot gevolg.

ONDERHOUD

Indien u zich niet aan de onderstaande onderhoudsrichtlijnen houdt, kan uw gezondheid in gevaar komen, vooral die van uw kinderen.

WATER

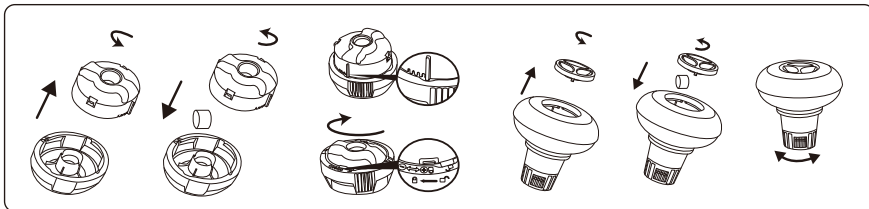
- Het is noodzakelijk om uw zwembadwater schoon en chemisch uitgebalanceerd te houden. Alleen de filterpatroon reinigen is niet voldoende voor goed onderhoud; we raden u aan om zwembadchemicaliën te gebruiken om de waterchemie te behouden en chloor- of broomtabletten (gebruik geen korrels) met de chemicaliëndispenser te gebruiken.
- De waterkwaliteit is direct gerelateerd aan de gebruiksfrequentie, het aantal gebruikers en het algehele onderhoud van het zwembad. Het water moet om de 3 dagen worden ververs als er geen chemische behandeling met het water wordt uitgevoerd. Het wordt sterk aanbevolen om water van de kraan te gebruiken voor het vullen, om de invloed van ongewenste inhoud, zoals mineralen, te minimaliseren.
- We raden aan om te douchen voordat u uw zwembad gebruikt, aangezien cosmetische producten, lotions en andere resten op de huid de waterkwaliteit snel kunnen aantasten. Volg de instructies in de bijsluiters om de chemicaliëndispenser te gebruiken.
- Maak het zwembad regelmatig schoon om enig bezonken vuil te voorkomen.
- Plaats een emmer water naast het zwembad om de voeten van de gebruikers schoon te maken alvorens ze het zwembad in gaan.
- Het chemisch onderhoud dient te worden uitgevoerd met Chemconnect of de chemische drijver; gooi chemische producten niet direct in het water, de chemische stof zal zich namelijk af op de bodem afzetten en kan het materiaal beschadigen en PVC verkleuren.
- Uw gekochte zwembadset bevat mogelijk geen van deze dispensers; in dit geval kunt u deze aankopen via onze website www.bestwaycorp.com of bij de dichtstbijzijnde zwembaddealer.

Chemische tabletten (niet inbegrepen):

- Haal de chemicaliëndispenser uit het zwembad wanneer het zwembad in gebruik is.
- Gebruik na het uitvoeren van chemisch onderhoud en vooraf het gebruik van het zwembad, een testkit (niet inbegrepen) om de chemische balans van het water te testen. We raden aan om de chemische balans van uw water als volgt te onderhouden:

Parameters	Waarden
Waterhelderheid	duidelijk zicht van de bodem van het zwembad
Kleur van het water	er mag geen kleur worden geobserveerd
Turbiditeit in FNU/NTU	max. 1,5 (bij voorkeur minder dan 0,5)
Nitratconcentratie boven die van vulwater in mg/l	max. 20
Totaal organische koolstof (TOC) in mg/l	max. 4,0
Redoxpotentiaal tegen Ag/AgCl 3,5 m KCl in mV	min. 650
pH-waarde	6,8 tot 7,6
Vrij werkzaam chloor (zonder cyanuurzuur) in mg/l	0,3 tot 1,5
Vrij werkzaam chloor in combinatie met cyanuurzuur in mg/l	1,0 tot 3,0
Cyanuurzuur in mg/l	max. 100
Gecombineerd chloor in mg/l	max. 0,5 (bij voorkeur dicht bij 0,0 mg/l)

- Zwembadschade als gevolg van verkeerd gebruik van chemicaliën en verkeerd beheer van zwembadwater valt niet onder de garantie.
- Overmatig gebruik van chemicaliën zal de bedrukking en alle punten van het zwembadmateriaal verkleuren; in het ergste geval zal het de structuur van de voering van het zwembad beschadigen.
- Zwembadchemicaliën zijn potentieel giftig en moeten met zorg worden behandeld. Chemische dampen, onjuiste etikettering en onjuiste opslag van chemicaliëncontainers brengen ernstige gezondheidsrisico's met zich mee.
- Raadpleeg uw plaatselijke zwembad- of chemicaliënverkooppunt voor meer informatie over chemisch onderhoud. Let goed op de instructies van de fabrikant van de chemicaliën.
- De pomp wordt gebruikt om het water te laten circuleren en kleine deeltjes te filteren. Om uw zwembadwater schoon en hygiënisch te houden, moet u ook chemicaliën toevoegen.



VOERING

- Dek het zwembad af wanneer het niet in gebruik is, om schade aan het materiaal op de bovenrand te voorkomen. Reinig eventuele vuilafzetting op de bovenrand voorzichtig met een schone doek.
- Alvorens de afdekking te bevestigen, moet u ervoor zorgen dat het water op het maximale niveau staat. Indien het waterpeil te laag is, mag de afdekking niet bevestigd worden.

DEMONTAGE EN OPSLAG

Het zwembad is ontworpen om het hele jaar rond gebruikt te worden. Volg de onderstaande stappen om het zwembad in de winter te gebruiken:

- Laat het water wegstromen tot 20cm onder de verbindingsklep en skimmer.
- Koppel de pomp en slangen los.
- Houdt de afdekking op zijn plaats.
- Indien het waterniveau verhoogt wordt na een regenachtige dag, laat het extra water dan weglopen tot het niveau weer de ideale hoeveelheid is zoals hierboven beschreven.

Indien u het zwembad voor de winter nog moet neerhalen, zorg er dan zeker voor dat de gaten voor de skimmer en de verbindingsklep zich in de juiste plaats bevinden alvorens het monteren.

WATER AFVOEREN

- Volg de onderstaande instructie om het zwembad leeg te laten lopen. De tekeningen zijn enkel ter illustratie. Ze geven mogelijk niet het werkelijke product weer. Niet op schaal.
- Raadpleeg de plaatselijke regelgevingen voor afvoerverordeningen om uw zwembadwater af te voeren.

SCHOONMAAK

- Spoel de zwembadvoering af met kraanwater om enige resten van chemicaliën of vuil volledig te verwijderen.
- Laat het zwembad in de zon liggen totdat het volledig droog is.
- Om het resterende water volledig te verwijderen, veegt u de voering van het zwembad af met een droge doek.

OPSLAG

- Verwijder alle accessoires; zorg ervoor dat de zwembadvoering, afdekking, pomp en accessoires volledig schoon en droog zijn alvorens u ze opbergt. Indien het zwembad niet volledig droog is, kan er schimmel ontstaan en kan de zwembadvoering tijdens de opslagperiode beschadigd worden.
- Vouw de zwembadvoering alleen op indien de omgevingstemperatuur hoger is dan 10°C / 50°F. Bewaar het zwembad op een droge plaats met een gematigde temperatuur tussen 10°C / 50°F en 38°C / 100°F en plaats de zwembadvoering en alle accessoires in een kartonnen doos om het PVC materiaal tijdens de winterperiode beter te beschermen.

REPARATIE

In het geval van lekkage, repareer dan uw zwembad met behulp van de meegeleverde klevende onderwater-reparatiepatch. U kunt de instructies terugvinden in de veelgestelde vragen op het ondersteuningsgedeelte van onze website, www.bestwaycorp.com/support.



MANUEL DE L'UTILISATEUR



Visitez la chaîne YouTube de Bestway

CONSIGNES DE SÉCURITÉ IMPORTANTES

LISEZ ET SUIVEZ TOUTES LES INSTRUCTIONS.

- Lisez attentivement, assimilez et suivez toutes les informations de ce manuel d'utilisation avant d'installer et d'utiliser la piscine.
- Ces mises en garde, instructions et consignes de sécurité traitent de certains risques courants liés aux loisirs aquatiques, mais ils ne peuvent en aucun cas couvrir tous les risques et dangers. Prenez toujours des précautions et faites preuve de bon sens quand vous pratiquez des activités aquatiques. Conservez ces informations pour une utilisation ultérieure. De plus, les informations suivantes peuvent varier en fonction du type de piscine.
- Conservez le manuel d'utilisation. Si le manuel est manquant, vous pourrez le trouver sur le site web www.bestwaycorp.com/support.

Sécurité des non-nageurs

- Une surveillance attentive, active et continue par un adulte compétent des enfants qui ne savent pas bien nager et des non-nageurs est requise en permanence (en gardant à l'esprit que le risque de noyade est le plus élevé pour les enfants de moins de cinq ans).
- Désignez un adulte compétent pour surveiller le bassin à chaque fois qu'il est utilisé.
- Il convient que les enfants qui ne savent pas bien nager ou les non-nageurs portent des équipements de protection individuelle lorsqu'ils utilisent la piscine.
- Lorsque le bassin n'est pas utilisé ou est sans surveillance, retirez tous les jouets de la piscine et ses abords afin de ne pas attirer les enfants vers le bassin.

Dispositifs de sécurité

- Pour éviter toute noyade d'enfant, il est recommandé de sécuriser l'accès au bassin par un dispositif de protection. Pour éviter que les enfants montent par la vanne d'entrée et de sortie, il est recommandé d'installer une barrière (et de sécuriser toutes les portes et fenêtres, le cas échéant) afin d'empêcher tout accès non autorisé à la piscine.
- Les barrières, couvertures, alarmes de piscines ou dispositifs de sécurité similaires sont des aides utiles, mais ils ne remplacent pas la surveillance continue par un adulte compétent.

Équipements de sécurité

- Il est recommandé de garder du matériel de sauvetage (une bouée, par exemple) près du bassin.
- Gardez un téléphone en parfait état de marche et une liste de numéros d'urgence à proximité du bassin.

Sécurité d'emploi de la piscine

- Incitez tous les utilisateurs, en particulier les enfants, à apprendre à nager.
- Apprenez les gestes qui sauvent (réanimation cardiopulmonaire) et remettez régulièrement à jour vos connaissances. Ces gestes peuvent sauver une vie en cas d'urgence.
- Expliquez aux utilisateurs de la piscine, enfants inclus, la procédure à suivre en cas d'urgence.
- Ne plongez jamais dans un plan d'eau peu profond, sous peine de blessures graves ou mortelles.
- N'utilisez pas la piscine sous l'emprise d'alcool ou de médicaments susceptibles de réduire votre capacité à utiliser la piscine en toute sécurité.
- Si la piscine est recouverte d'une couverture, retirez-la entièrement de la surface de l'eau avant d'entrer dans le bassin.
- Traitez l'eau de votre piscine et instaurez de bonnes pratiques d'hygiène afin de protéger les utilisateurs des maladies liées à l'eau. Consultez les consignes de traitement de l'eau données dans la notice d'utilisation.
- Stockez les produits chimiques (produits de traitement de l'eau, de nettoyage ou de désinfection, par exemple) hors de portée des enfants.
- Utilisez les pictogrammes décrits ci-dessous. Les pictogrammes doivent être affichés dans une position visible à moins de 2 000 mm de la piscine.



- Surveillez les enfants lorsqu'ils se trouvent dans l'eau. Interdiction de plonger.
- Placez les échelles amovibles sur une surface horizontale.
- Quels que soient les matériaux utilisés pour la construction de la piscine, les surfaces accessibles doivent être régulièrement contrôlées afin d'éviter les blessures.
- Vérifiez régulièrement les boulons et les vis ; éliminez les écailles ou toute arête vive pour éviter les blessures.
- ATTENTION :** Ne laissez pas la piscine vide à l'extérieur. La piscine vide est susceptible de se déformer et/ou d'être emportée par le vent.
- Si vous avez une pompe de filtration, reportez-vous à la notice d'instructions de la pompe.
- ATTENTION !** Il est interdit d'utiliser la pompe quand des gens se trouvent à l'intérieur de la piscine !

• Si vous avez une échelle, reportez-vous à la notice d'instructions de l'échelle.

ATTENTION ! L'utilisation d'une piscine implique le respect des consignes de sécurité contenues dans la notice d'utilisation et d'entretien. Afin d'éviter la noyade et toute autre blessure grave, faites particulièrement attention à la possibilité pour les enfants de moins de 5 ans d'accéder à la piscine en sécurisant son accès, et veillez à ce qu'un adulte les surveille constamment pendant la baignade.

REMARQUE : Lors de l'installation de la piscine, le skimmer doit être positionné dans le sens contraire du vent dominant. L'échelle doit être placée dans la piscine loin du skimmer.

À lire attentivement et à conserver pour consultation ultérieure.

AVANT L'INSTALLATION

LISTE DE VÉRIFICATION

Pour vérifier les pièces incluses dans le carton, consultez la liste des pièces dans ce manuel. Vérifiez que les pièces de l'équipement correspondent au modèle que vous avez acheté. En cas de pièces endommagées ou manquantes au moment de l'achat, consultez notre site Internet bestwaycorp.com/support.

CHOISIR LE BON EMPLACEMENT

La surface choisie pour installer le bassin doit respecter les caractéristiques techniques suivantes :

- **Attention :** La plateforme supérieure est en métal et devient très chaude au soleil.
- Compte tenu du poids total de la piscine, de l'eau et des utilisateurs, il est extrêmement important que la surface sur laquelle la piscine est installée soit lisse, plate, de niveau et capable de supporter le poids pendant toute la durée de l'installation de la piscine. Lorsque vous choisissez la surface, tenez compte du fait que de l'eau peut sortir de la piscine lorsqu'elle est utilisée ou lorsqu'il pleut. Si l'eau ramollit la surface, elle peut perdre sa capacité à supporter le poids de la piscine.
- La surface doit être plane et lisse. Si la surface est inclinée ou irrégulière, la structure de la piscine peut être déséquilibrée. Cette situation peut endommager les soudures du liner, endommager la paroi en acier et déformer le châssis. Dans les cas les plus extrêmes, la piscine peut éclater, occasionnant des blessures graves et/ou des dommages aux biens personnels.
- Nous recommandons de placer la piscine loin de tout objet que les enfants pourraient utiliser pour grimper dans le bassin.
- Placez la piscine à proximité d'un système de drainage adéquat pour gérer le débordement ou pour vidanger la piscine. Assurez-vous que le côté de la piscine avec l'entrée d'eau A et la sortie B est situé dans la même direction que la source d'énergie, à laquelle le système de filtration doit être connecté.
- La surface sélectionnée doit être exempte de tout type d'objet. En raison du poids de l'eau, tout objet placé sous la piscine pourrait endommager ou perforer le fond du bassin.
- La surface choisie doit être exempte de plantes agressives et de mauvaises herbes. Ces types de végétation résistante pourraient se développer à travers le liner et créer des fuites d'eau. L'herbe ou toute autre végétation susceptible de provoquer des odeurs ou de la boue doit être éliminée du lieu d'installation.
- L'emplacement choisi ne doit pas comporter de lignes électriques aériennes ni d'arbres. Assurez-vous que l'emplacement ne comporte pas de tuyaux, de lignes ou de câbles de services publics souterrains de quelque nature que ce soit.
- La position choisie doit être éloignée de l'entrée de la maison. Ne placez pas d'équipement ou d'autres meubles autour de la piscine. L'eau qui déborde de la piscine pendant son utilisation ou en raison d'un produit défectueux peut endommager l'intérieur d'une maison ou tout mobilier entourant la piscine.
- **Surfaces d'installation conseillées :** herbe, sol, béton, et toute autre surface respectant les conditions d'installation ci-dessus.
- **Évitez les surfaces suivantes :** terre, sable, gravier, terrasse, balcon, allée, plateforme, sol mou/terre meuble ou toute autre surface qui ne répond pas aux conditions de mise en place ci-dessus.
- Vérifiez auprès de votre mairie les règlements relatifs aux clôtures, aux barrières, à l'éclairage et aux exigences de sécurité et assurez-vous de respecter toutes les réglementations.
- Si une pompe et/ou une échelle sont incluses dans le kit, consultez le manuel de la pompe et/ou de l'échelle pour les instructions de sécurité et l'installation. L'échelle doit correspondre à la taille de la piscine.
- Si l'installation est terminée et que vous devez déplacer le produit, veillez à ne pas endommager la paroi et à ne pas traîner le liner sur le sol. La friction entre le matériau et le sol peut endommager le liner.
- **Suivez les instructions importantes ci-dessus pour choisir la surface et l'emplacement adéquats pour installer votre piscine. Si des pièces de la piscine sont endommagées suite à une installation et un emplacement inappropriés, elles ne seront pas considérées comme comportant un défaut de fabrication et la garantie et toute demande de service seront annulées.**

INSTALLATION

ASSEMBLAGE

- Pour l'installation, suivez les instructions ci-dessous. Les dessins ne sont donnés qu'à titre d'illustration. Ils sont susceptibles de ne pas refléter le produit réel. Pas à l'échelle.
- L'installation prend généralement environ 3 heures avec 2 ou 3 personnes, sans compter la préparation du sol et le remplissage d'eau.

Outils nécessaires (non inclus) :



- Bestway n'est pas responsable des dommages causés à la piscine en raison d'une mauvaise manipulation ou du non-respect de ces instructions.
- Nous vous conseillons vivement d'ouvrir l'emballage et de monter la piscine lorsque la température ambiante est supérieure à 15 degrés ; le matériau PVC du liner deviendra plus souple et plus facile à monter.
- Avant de connecter la vanne à la piscine, remplissez la piscine en laissant un espace de 5 à 6 cm entre l'emplacement de la vanne de raccordement et la surface de l'eau.
- N'installez jamais définitivement la vanne de raccordement avant que l'eau ne soit à quelques centimètres, car le liner doit être correctement tendu par la pression de l'eau.
- Faites attention aux échardes ou aux bords tranchants lorsque vous coupez le liner de la piscine.
- Couper plus de liner que nécessaire endommagera le liner de la piscine et le rendra inutilisable, donc veuillez le couper avec précaution.

REMPLISSAGE DE LA PISCINE

- Ne laissez pas la piscine sans surveillance pendant le remplissage.
- Remplissez la piscine d'eau une fois toutes les étapes de montage terminées et jusqu'à ce que l'eau soit à 15 cm de la barre supérieure, ce qui correspond à 90 % de la capacité totale.
- Ne pas trop remplir, car cela pourrait provoquer l'éclatement de la piscine. En cas de fortes pluies, il est fortement recommandé de réduire le niveau d'eau pour que la contenance totale reste à 90 % afin d'éviter tout débordement.
- Lorsque la piscine est complètement remplie, vérifiez que la distance entre la surface de l'eau et le haut de la structure est la même sur tout le pourtour ; si elle est différente, cela signifie que le sol n'est pas de niveau ; nous vous recommandons donc vivement de vider l'eau et de remettre le sol à niveau.
- Garder une piscine pleine d'eau sur un sol qui n'est pas de niveau peut provoquer l'éclatement des soudures et/ou la rupture de la piscine, pouvant entraîner des blessures graves et/ou des dommages matériels.

ENTRETIEN

Si vous ne respectez pas les consignes d'entretien ci-dessous, votre santé peut être mise en danger, ainsi que celle de vos enfants.

EAU

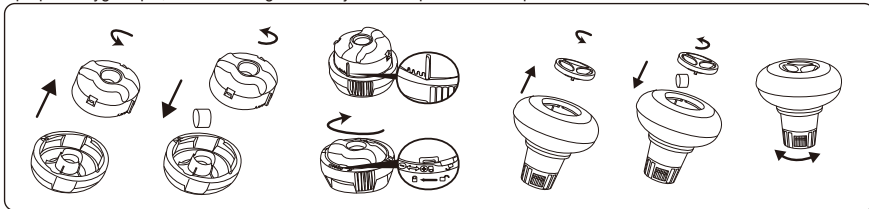
- Il est nécessaire de conserver l'eau de votre piscine propre et chimiquement équilibrée. Il ne suffit pas de nettoyer la cartouche de filtration pour un entretien correct, nous vous recommandons d'utiliser des produits chimiques pour piscine afin de maintenir les propriétés chimiques de l'eau et des comprimés de chlore ou de brome (n'utilisez pas de granulés) avec le diffuseur chimique.
- La qualité de l'eau est directement liée à la fréquence d'utilisation, au nombre d'utilisateurs et à l'entretien général de la piscine. Il faut changer l'eau tous les 3 jours si aucun traitement chimique n'est effectué. Il est vivement recommandé d'utiliser de l'eau du robinet pour le remplissage, afin de réduire au minimum l'influence d'un contenu indésirable, comme par exemple des minéraux.
- Nous vous recommandons de prendre une douche avant d'utiliser votre piscine, car les produits cosmétiques, les crèmes solaires et autres résidus sur la peau peuvent rapidement dégrader la qualité de l'eau. Pour utiliser le diffuseur de produits chimiques, suivez les instructions de la notice.
- Écumez régulièrement la piscine pour éviter les dépôts de saleté.
- Placez un seau d'eau à côté de la piscine pour nettoyer les pieds des utilisateurs avant d'entrer dans la piscine.
- L'entretien chimique doit être effectué avec ChemConnect™ ou un flotteur chimique ; ne pas jeter les produits chimiques directement dans l'eau, le produit chimique se déposera au fond, endommagera le matériau et décolorera le PVC.
- Il se peut que le kit de piscine que vous avez acheté ne comprenne aucun diffuseur ; dans ce cas, vous pouvez en acheter sur notre site web www.bestwaycorp.com ou chez le revendeur de piscines le plus proche.

Comprimés chimiques (non fournis) :

- Retirez le diffuseur de produits chimiques de la piscine lorsque celle-ci est utilisée.
- Après avoir effectué l'entretien chimique et avant d'utiliser la piscine, utilisez un kit de test (non inclus) pour tester l'équilibre chimique de l'eau. Nous vous recommandons de préserver l'équilibre chimique de votre eau comme suit :

Paramètres	Valeurs
Clarté de l'eau	le fond de la piscine est clairement visible
Couleur de l'eau	on ne doit remarquer aucune couleur de l'eau
Turbidité en FNU/NTU	1,5 maxi (de préférence inférieure à 0,5)
Concentration de nitrates supérieure à celle de l'eau de remplissage en mg/l	20 maxi
Carbone organique total (COT) en mg/l	4,0 maxi
Potentiel d'oxydo-réduction par rapport à Ag/AgCl 3,5 m KCl en mV	650 mini
Valeur du pH	de 6,8 à 7,6
Chlore actif libre (sans acide cyanurique) en mg/l	de 0,3 à 1,5
Chlore libre utilisé combiné avec de l'acide cyanurique en mg/l	de 1,0 à 3,0
Acide cyanurique en mg/l	100 maxi
Chlore combiné en mg/l	0,5 maxi (de préférence proche de 0,0 mg/l)

- Les dommages à la piscine résultant d'une mauvaise utilisation des produits chimiques et d'une mauvaise gestion de l'eau de la piscine ne sont pas couverts par la garantie.
- Une utilisation excessive de produits chimiques décolorera les imprimés et l'ensemble du matériau de la piscine ; dans le pire des cas, la structure du liner de la piscine peut être endommagée.
- Les produits chimiques pour piscine sont potentiellement toxiques et doivent être manipulés avec précaution. Les vapeurs chimiques ainsi que l'étiquetage et le stockage incorrects des conteneurs de produits chimiques présentent de graves risques pour la santé.
- Veuillez consulter votre revendeur de produits pour piscines pour plus d'informations sur l'entretien chimique. Lisez attentivement les instructions du fabricant des produits chimiques.
- La pompe est utilisée pour faire circuler l'eau et pour filtrer les petites particules. Pour que l'eau de votre piscine reste propre et hygiénique, vous devez également ajouter des produits chimiques.



LINER

- Couvrez la piscine lorsqu'elle n'est pas utilisée, afin d'éviter d'endommager le matériau sur la structure supérieure. Nettoyez délicatement tout dépôt de saleté sur la structure supérieure avec un chiffon propre.
- Avant de fixer la bâche de piscine, assurez-vous que l'eau est au niveau maximum. Si le niveau de l'eau est trop bas, la bâche de piscine ne doit pas être installée.

DÉMONTAGE ET STOCKAGE

La piscine est conçue pour rester à l'extérieur toute l'année. Pour garder la piscine à l'extérieur pendant l'hiver, suivez les étapes ci-dessous :

- Vidangez l'eau à 20 cm sous la vanne de raccordement et le skimmer.
- Détachez la pompe et les tuyaux.
- Maintenez la bâche en position.
- Si le niveau d'eau augmente à la suite d'un jour de pluie, évacuez l'excès d'eau jusqu'à ce que le niveau atteigne la quantité idéale indiquée ci-dessus.

Si vous devez tout de même démonter la piscine avant l'hiver, assurez-vous que les trous pour le skimmer et la vanne de raccordement sont dans la bonne position avant de la remonter.

VIDANGE

- Pour vidanger la piscine, suivez les instructions ci-dessous. Les dessins ne sont donnés qu'à titre d'illustration. Ils sont susceptibles de ne pas refléter le produit réel. Pas à l'échelle.
- Pour vidanger l'eau de votre piscine, vérifiez les règlements locaux en matière de drainage.

NETTOYAGE

- Rincez le liner de la piscine avec de l'eau du robinet, pour éliminer complètement tout résidu de produit chimique ou de saleté.
- Laissez la piscine à la lumière du soleil jusqu'à ce qu'elle soit complètement sèche.
- Pour éliminer complètement l'eau restante, essuyez le liner de la piscine avec un chiffon sec.

STOCKAGE

- Démontez tous les accessoires ; assurez-vous que le liner, la bâche, la pompe et les accessoires de la piscine sont bien propres et totalement secs avant le stockage. Si la piscine n'est pas complètement sèche, des moisissures peuvent apparaître et endommager le liner de la piscine pendant la période de stockage.
- Ne repliez le liner de la piscine que si la température ambiante est supérieure à 10 °C. Stockez la piscine dans un endroit sec avec une température modérée entre 10 °C et 38 °C et placez le liner de la piscine et tous les accessoires à l'intérieur d'une boîte en carton, pour mieux protéger le matériau PVC pendant la période hivernale.

RÉPARATION

En cas de fuite, colmatez votre piscine à l'aide du patch de réparation adhésif étanche fourni. Vous trouverez les instructions dans les FAQ de la section « Support » de notre site web, www.bestwaycorp.com/support.

MERCI D'AVOIR CHOISI BESTWAY !

FR

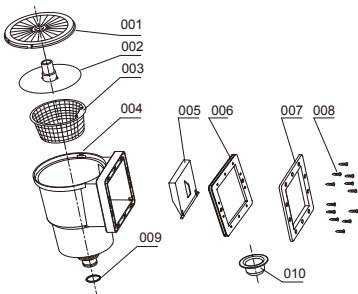
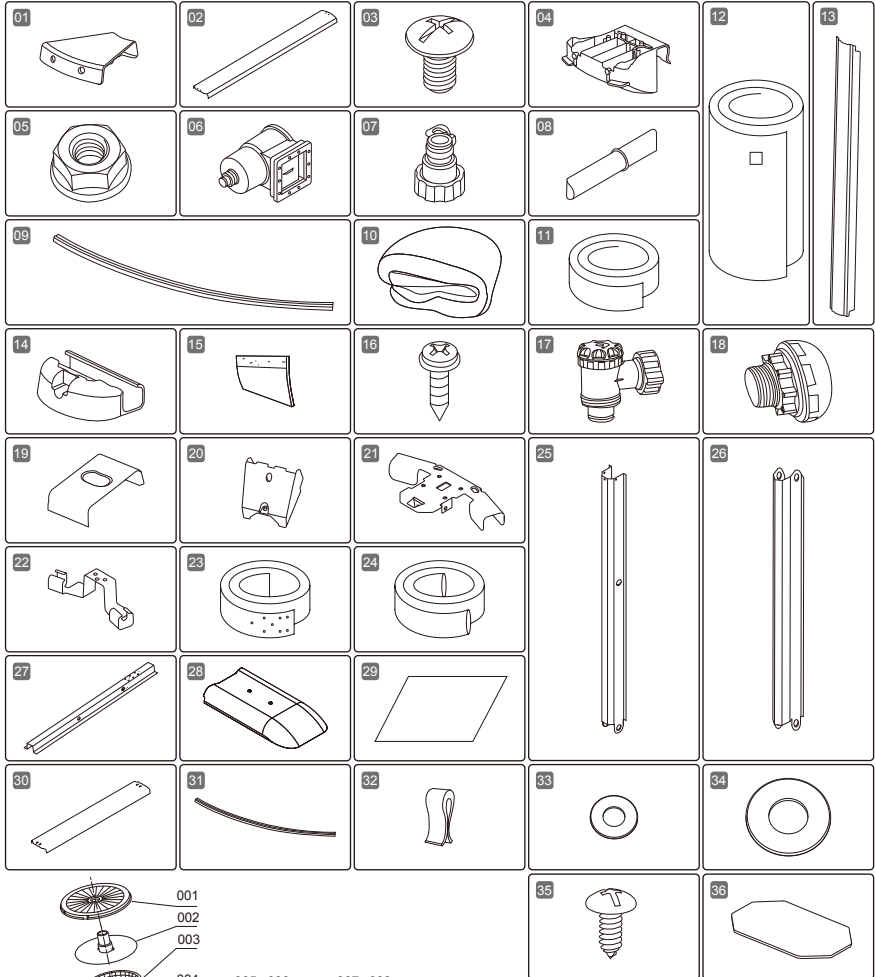
Obtenez immédiatement et **gratuitement** l'extension de garantie de votre achat !

Enregistrez votre produit dans les 30 jours à compter de la date d'achat et nous vous offrons 6 mois d'extension gratuite de la garantie.

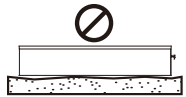
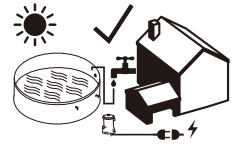
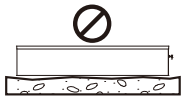
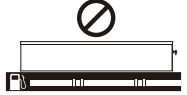
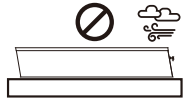
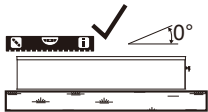
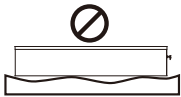
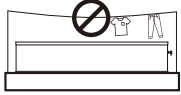
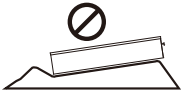
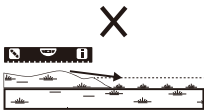
Visitez **WWW.ENREGISTREMENTBESTWAY.FR** et enregistrez immédiatement votre produit!

L'extension territoriale de la présente garantie supplémentaire concerne les pays suivants : France, Italie, Allemagne.

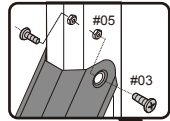
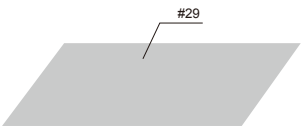
5.00 m x 3.66 m x 1.22 m (16'5" x 12' x 48") 56586	01	02	03	04	05	06	07	08	09	10	11	12	13	14	15	16	17	18
	x8	x10	x88	x8	x52	x1	x2	x32	x20	x1	x1	x1	x8	x8	x8	x6	x1	x1
	19	20	21	22	23	24	25	26	27	28	29	30	31	32	33	34	35	36
6.10 m x 3.66 m x 1.22 m (20' x 12' x 48") 56369	x2	x2	x2	x2	x1	x1	x2	x2	x2	x2	x1	x0	x0	x20	x4	x40	x48	x1
	01	02	03	04	05	06	07	08	09	10	11	12	13	14	15	16	17	18
	x8	x6	x134	x8	x74	x1	x2	x32	x12	x1	x1	x1	x8	x8	x8	x12	x1	x1
	19	20	21	22	23	24	25	26	27	28	29	30	31	32	33	34	35	36
x4	x4	x4	x4	x2	x2	x4	x4	x4	x4	x1	x6	x12	x20	x8	x48	x48	x1	



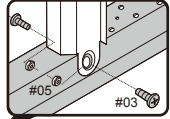
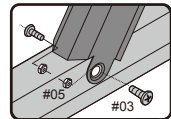
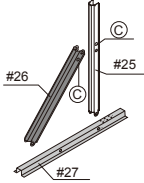
06	001	002	003	004	005
	x1	x1	x1	x1	x1
	006	007	008	009	010
x1	x1	x12	x1	x1	



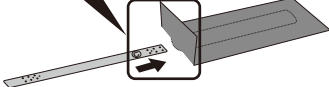
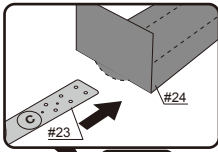
1



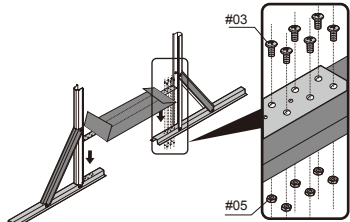
2



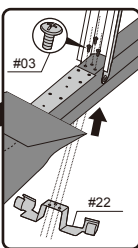
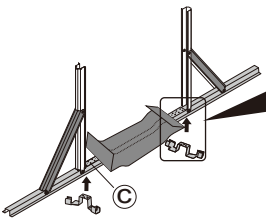
3



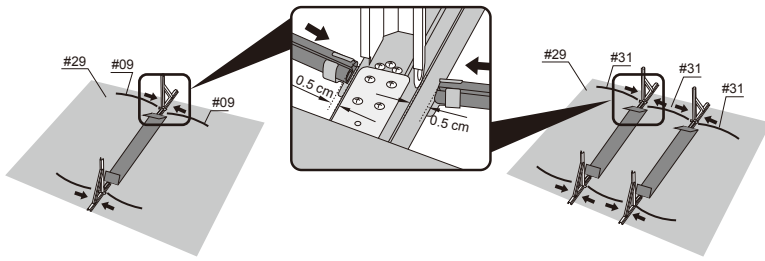
4



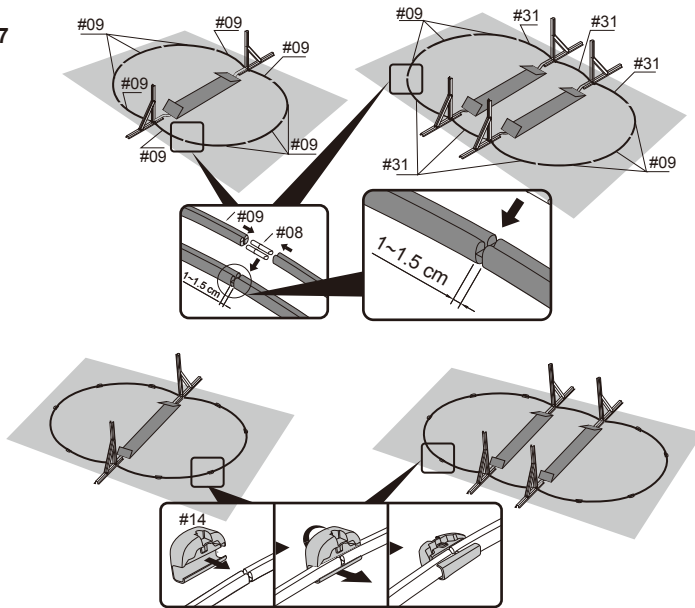
5



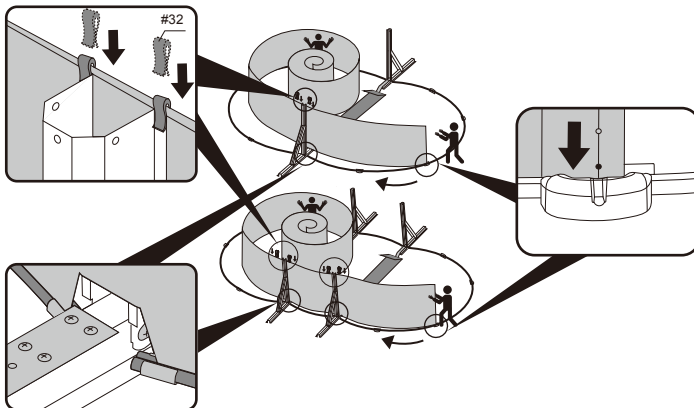
6



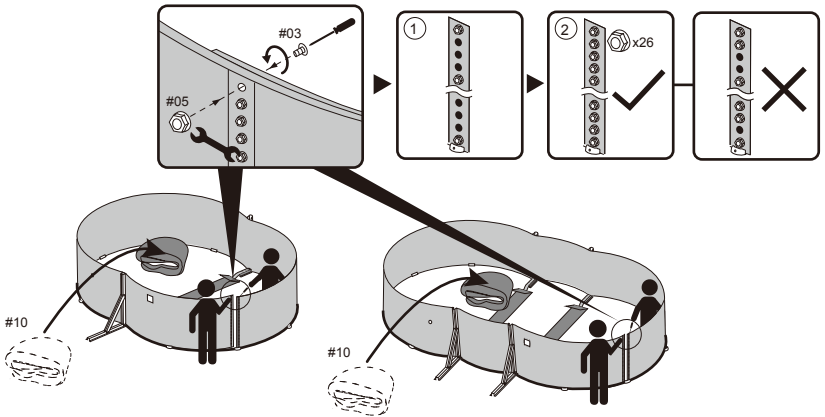
7



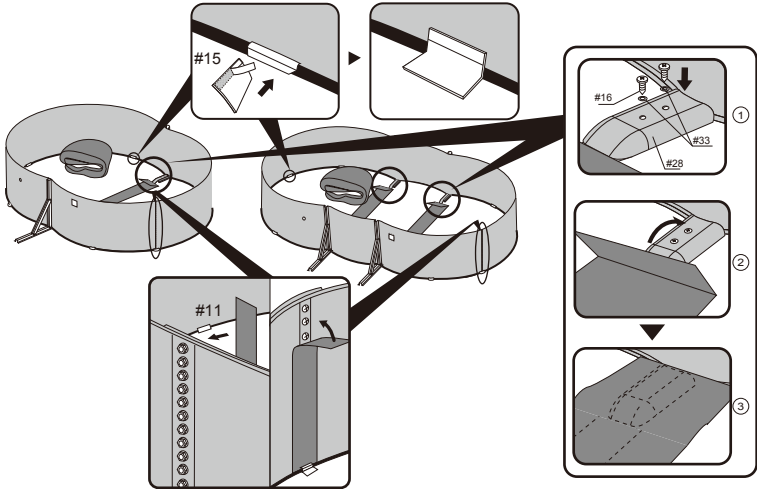
8



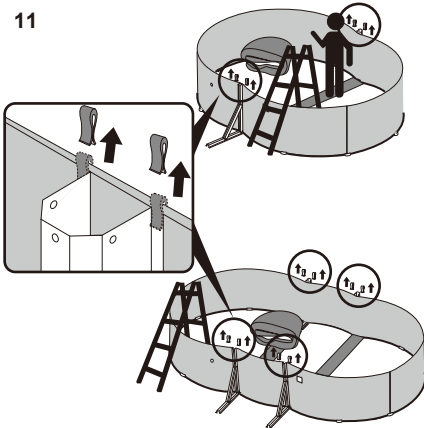
9



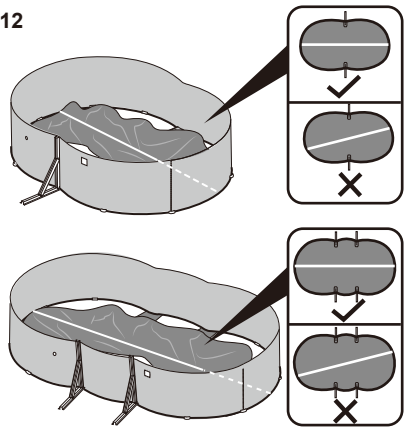
10



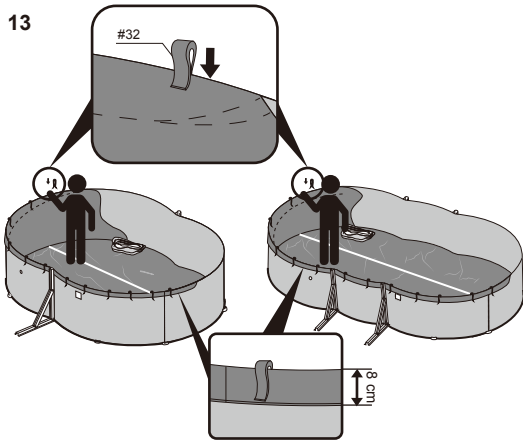
11



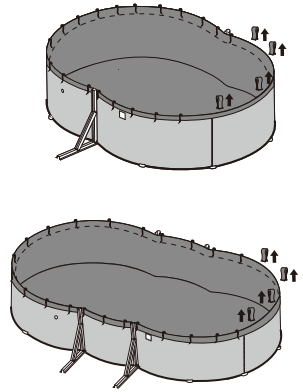
12



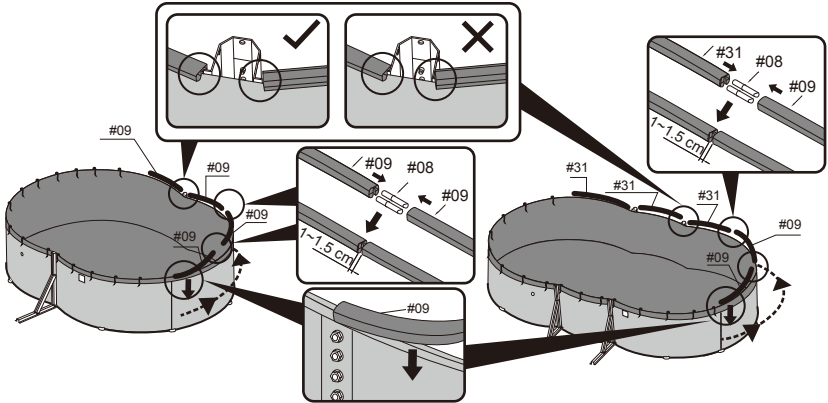
13



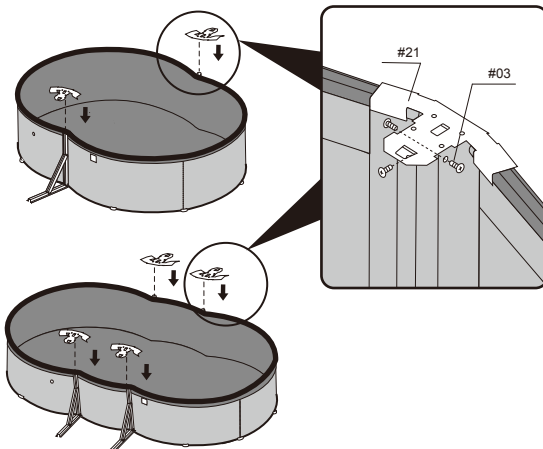
14



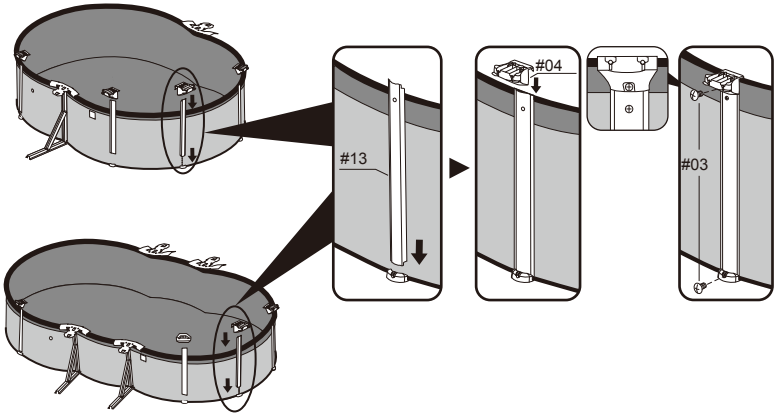
15



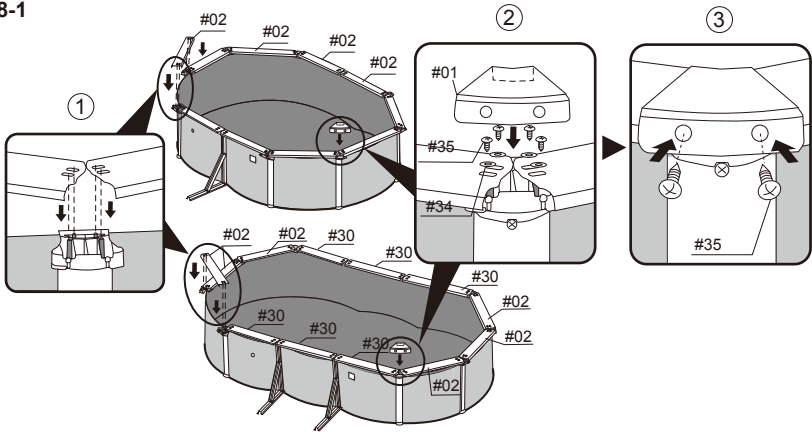
16



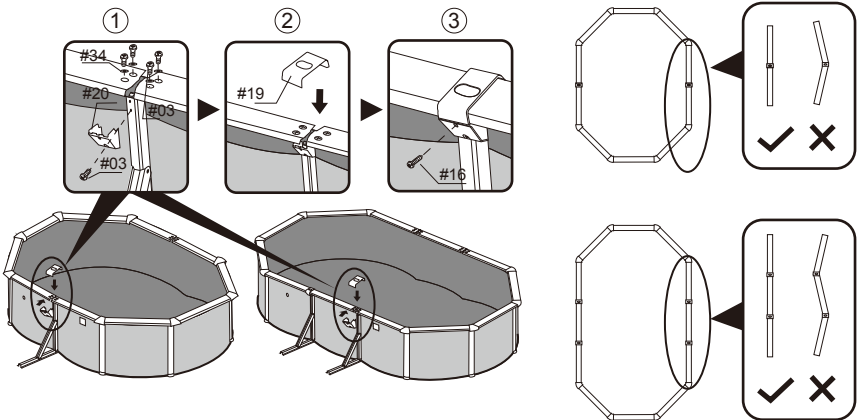
17



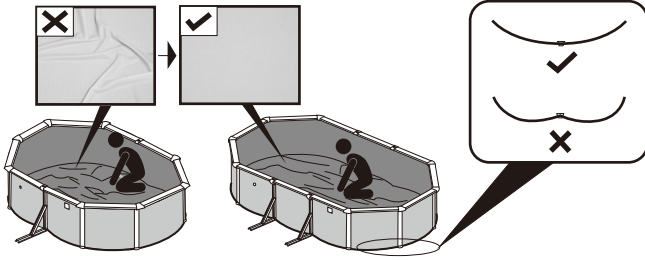
18-1



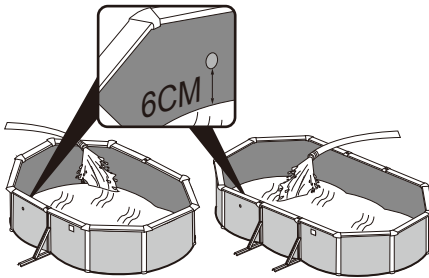
18-2



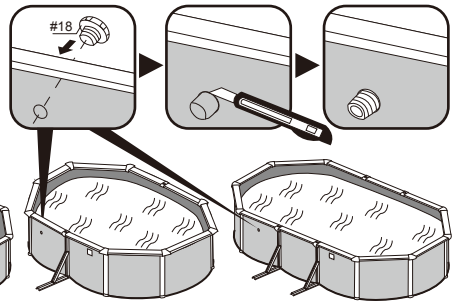
19



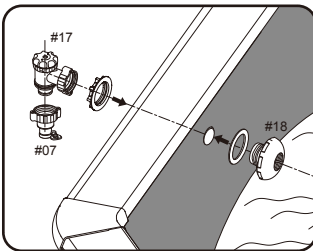
20



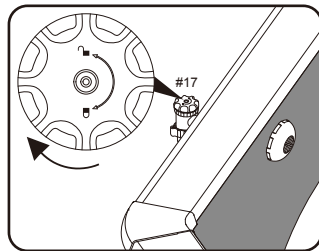
21



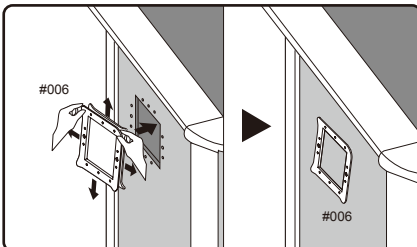
22



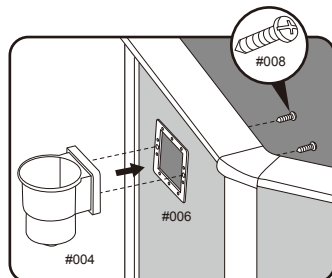
23



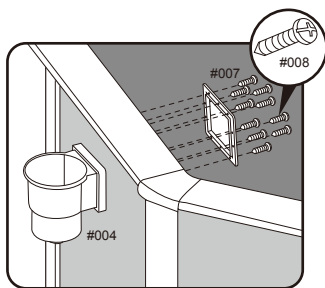
24



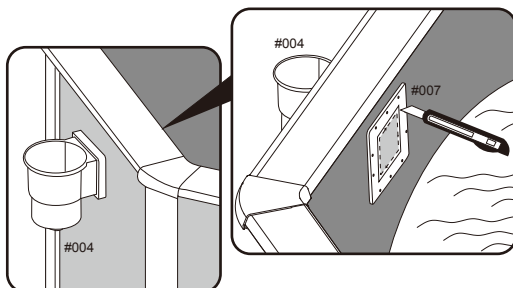
25



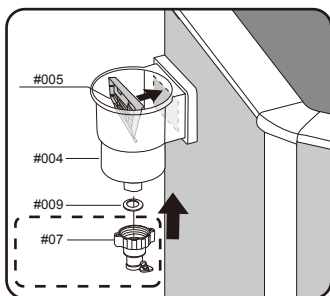
26



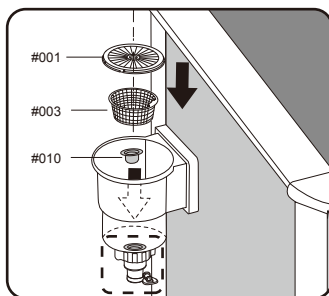
27



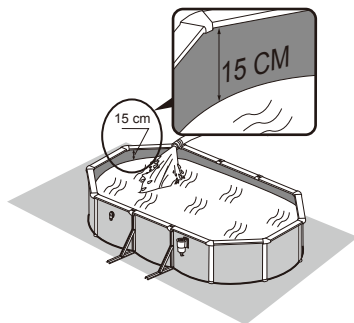
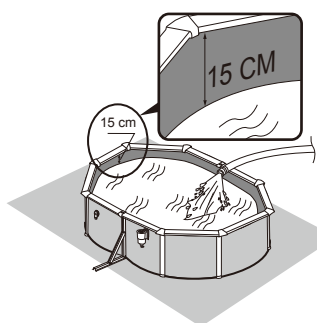
28



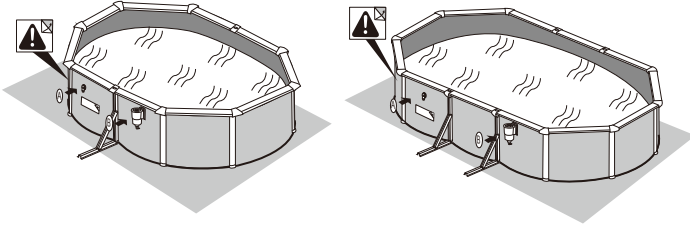
29



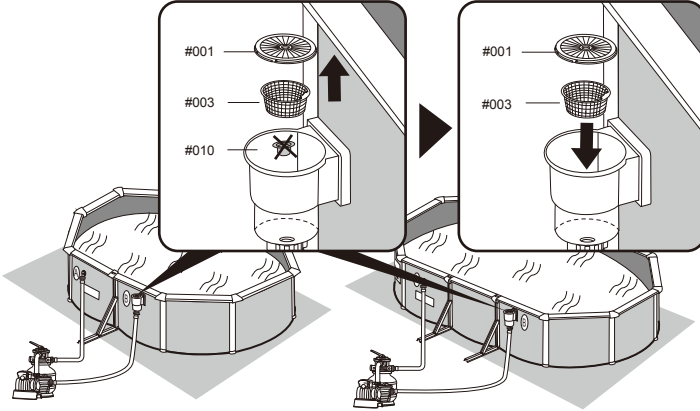
30



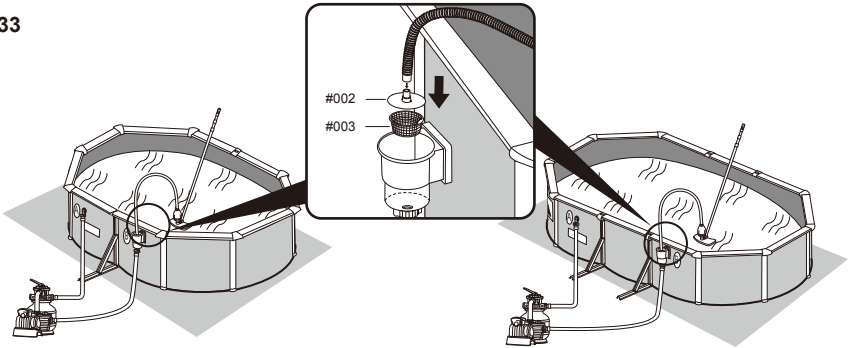
31



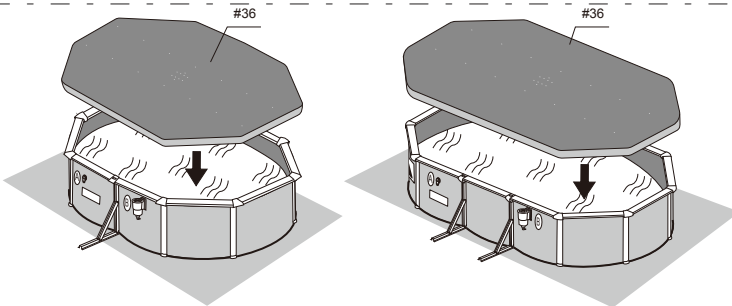
32



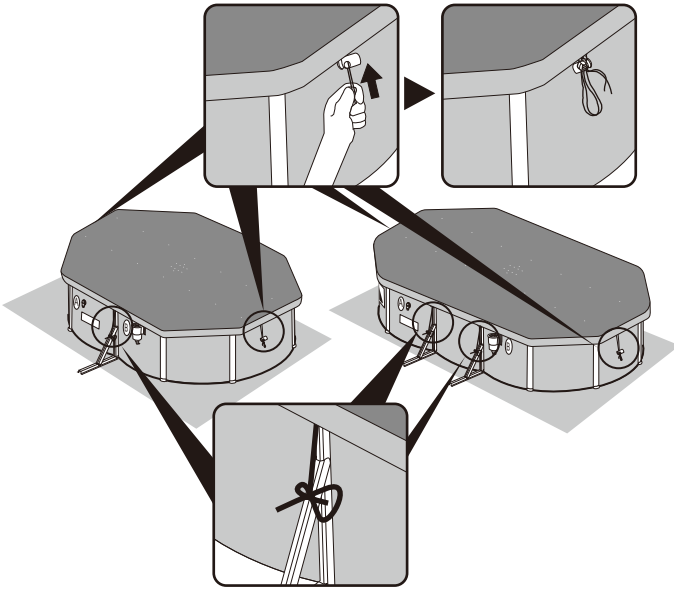
33



34



35



36

